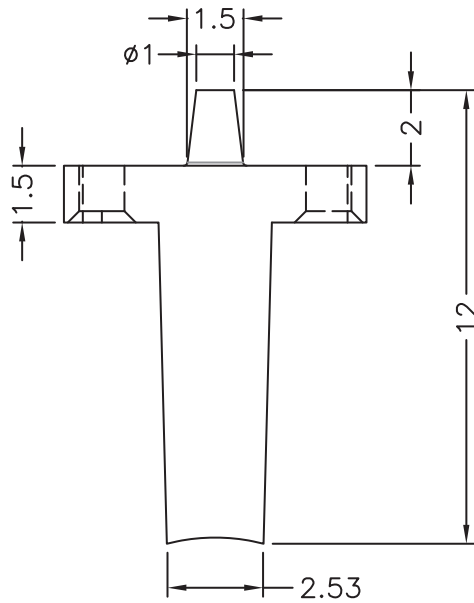
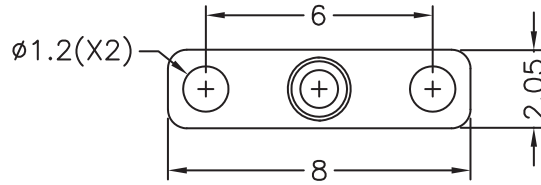



DIM.	TOL.
5mm DOWN	±0.2
5~20mm	±0.3
20~40mm	±0.4
40~60mm	±0.5
60~100mm	±0.8
100mm UP	±1.0

REVISIONS			
REV	DESCRIPTION	DATE	BY



				TITLE LIGHT PIPE			
				MATERIAL PC UL94V-0	DATE 13/05/2016		
				ADESIVO	DRAWN R.F.		
PART NUMBER 14015NA00		DRAWING NUMBER 16.05.13.14015.0.E		COLOR TRANSPARENT		CHECK	
SIZE A4	SCALE 5:1	UNIT mm	REV A	UNLESS OTHERWISE SPECIFIED TOLERANCE SEE ABOVE		APPROVED	