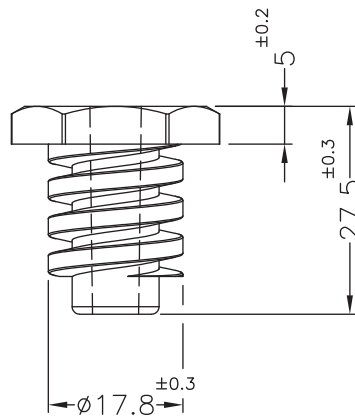
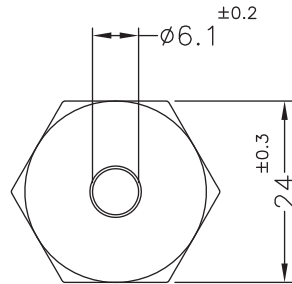



REVISIONS			
REV	DESCRIPTION	DATE	BY



				TITLE LEVELLING FEET	
				MATERIAL LDPE	DATE 05/06/2016
PART NUMBER 12057EA01				DRAWING NUMBER 16.06.05.12057.0.E	
				FINISH	DRAWN D.C.
SIZE A4				COLOR BLACK	
				SCALE 1:1	CHECK
UNIT mm.				UNLESS OTHERWISE SPECIFIED TOLERANCE SEE ABOVE	
				REV A	
APPROVED					