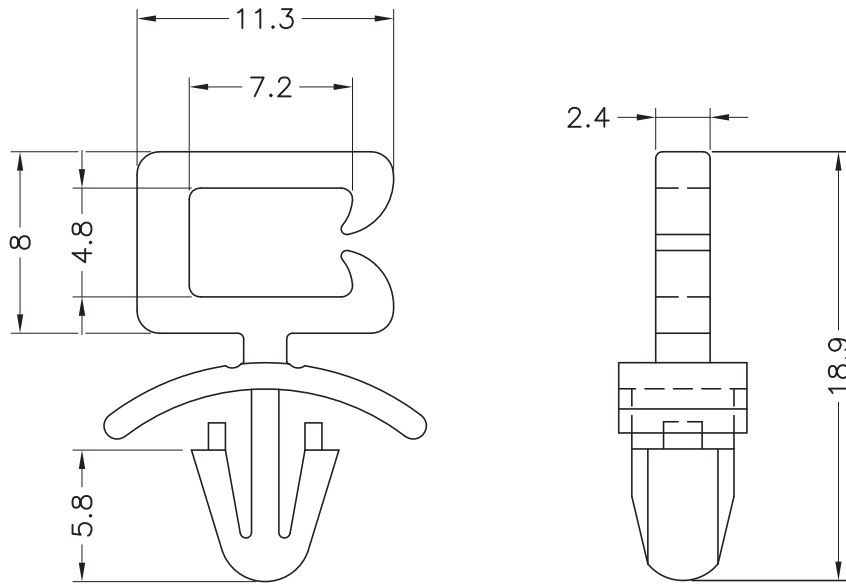



REVISIONS			
REV	DESCRIPTION	DATE	BY



HOLE IN CHASSIS $\varnothing 4.8$
 CHASSIS THICKNESS 0.8~2.0

NOTE:1. All measurement does not include gate which raises under 0.3mm.
 2. Shrinking is normal status.

				TITLE CABLE HOLDER			
				MATERIAL NYLON 66 UL94V-2		DATE 15/09/2015	
				DRAWN S.P.			
PART NUMBER 12045 AA00		DRAWING NUMBER 15.09.15.1204.E		COLOR NATURAL		CHECK	
SIZE A4	SCALE 3:1	UNIT mm	REV A	UNLESS OTHERWISE SPECIFIED TOLERANCE $\pm 0,2$		APPROVED	