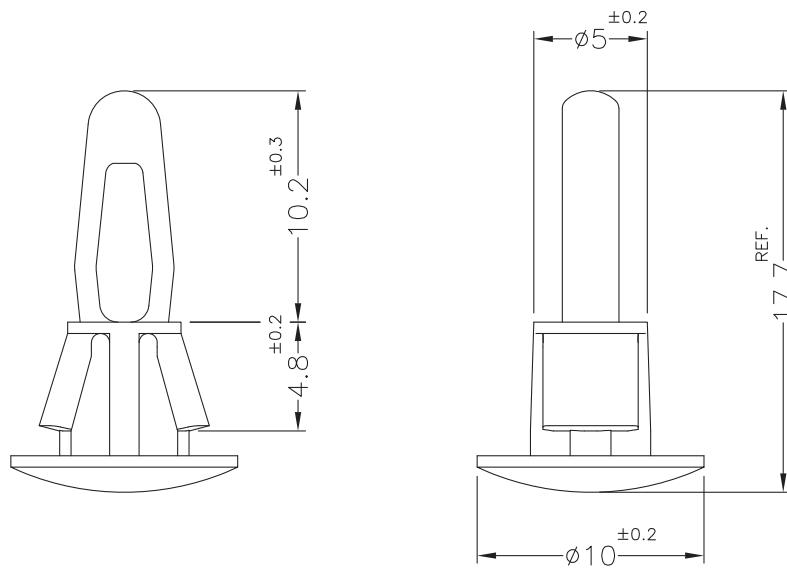


DIM.	TOL.
5mm DOWN	±0.2
5~20mm	±0.3
20~40mm	±0.4
40~60mm	±0.5
60~100mm	±0.8
100mm UP	±1.0


REVISIONS			
REV	DESCRIPTION	DATE	BY

HOLE IN P.C.B: $\phi 4.0$
P.C.B THICKNESS: 1.6mm



CHASSIS $\phi 5.5$
THICKNESS 1.0~1.7



				TITLE SPACER SUPPORT		
				MATERIAL NYLON 66 UL94V-2	DATE 15/09/2015	
				ADESIVO	DRAWN S.P.	
PART NUMBER 12020AA0004.8		DRAWING NUMBER 15.09.15.12020.0.E		COLOR NATURAL		CHECK
SIZE A4	SCALE 2:1	UNIT mm	REV A	UNLESS OTHERWISE SPECIFIED TOLERANCE SEE ABOVE		APPROVED