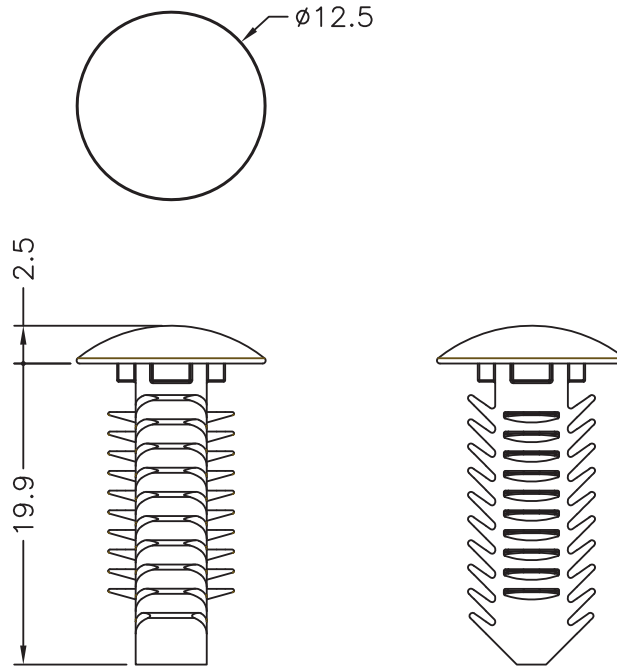



DIM.	TOL
L ≤ 10	±0.2
10 < L ≤ 30	±0.3
30 < L ≤ 50	±0.5
50 < L ≤ 100	±0.7
100 < L ≤ 250	±1.2
ABOVE 250	±1.5

REVISIONS			
REV	DESCRIPTION	DATE	BY



MOUNTING HOLE :  $\phi 7.9$   
 THICKNESS : 1.6 ~ 15.9

NOTE:MADE OF EQUIVALENT MATERIAL.

				TITLE SNAP RIVET	
				MATERIAL NYLON 66 UL94V-2	DATE 21/10/2016
PART NUMBER 11377AA01				DRAWN R.F.	
				DRAWING NUMBER 16.10.21.11377.0.E	
SIZE A4				COLOR BLACK	
				SCALE 2:1	
UNIT mm.				CHECK	
				REV A	
TOLERANCE SEE ABOVE				APPROVED	
				UNLESS OTHERWISE SPECIFIED	