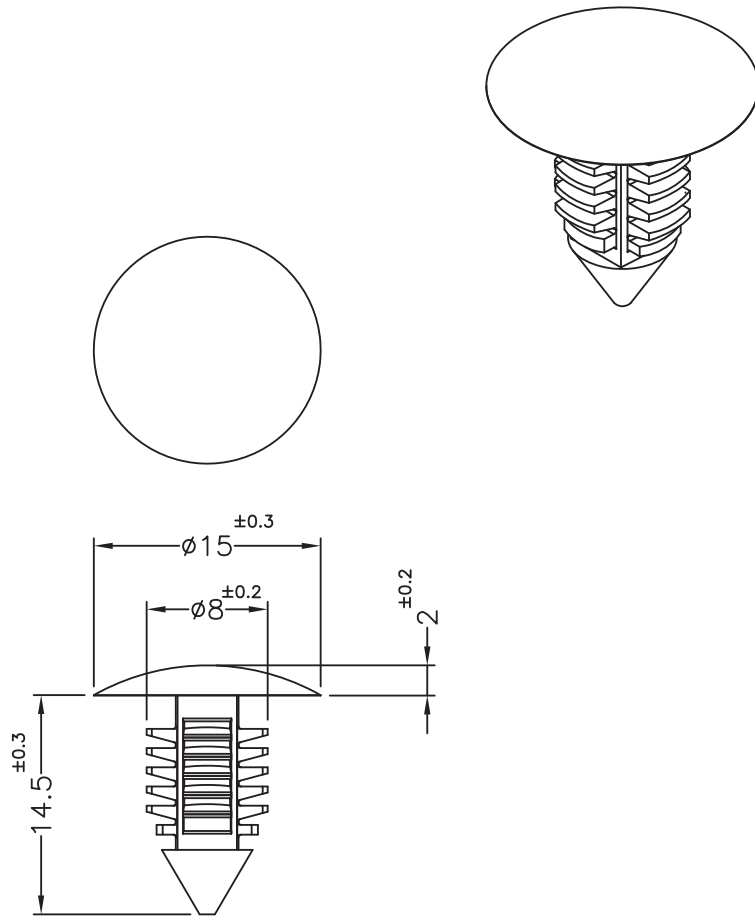



DIM.	TOL
5mm DOWN	±0.2
5~20mm	±0.3
20~40mm	±0.4
40~60mm	±0.5
60~100mm	±0.8
100mm UP	±1.0

REVISIONS			
REV	DESCRIPTION	DATE	BY



NOTE:MADE OF EQUIVALENT MATERIAL.

				TITLE SNAP RIVET	
				MATERIAL NYLON 66 UL94V-2	DATE 21/10/2016
PART NUMBER 11374AA01				DRAWN R.F.	
DRAWING NUMBER 16.10.21.11374.0.E				CHECK	
COLOR BLACK				APPROVED	
SIZE A4	SCALE 2:1	UNIT mm.	REV B	UNLESS OTHERWISE SPECIFIED TOLERANCE SEE ABOVE	