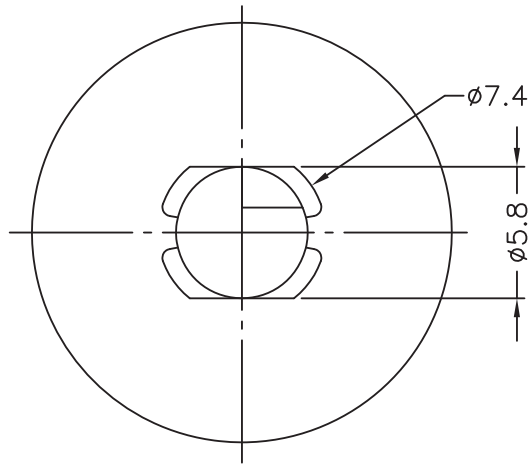
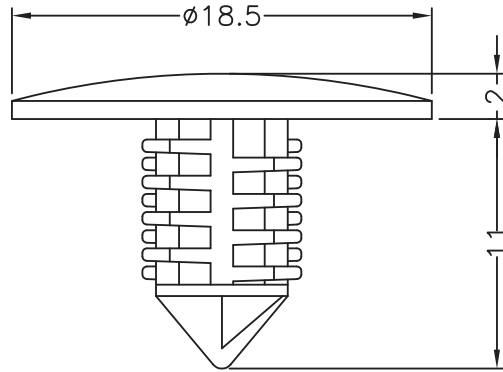



REVISIONS			
REV	DESCRIPTION	DATE	BY



HOLE SIZE: $\phi 6.35$
APPLICATION THICKNESS: 0.8~7.4

NOTE: All measurement does not include gate which raises under 0.3mm.

				TITLE MOUNTING BUTTON	
				MATERIAL NYLON 66 UL94V-2	DATE 21/10/2016
PART NUMBER 11371AA01				DRAWN R.F.	
				DRAWING NUMBER 16.10.21.11371.0.E	
SIZE A4	SCALE 3:1	UNIT mm.	REV A	COLOR BLACK	CHECK
UNLESS OTHERWISE SPECIFIED TOLERANCE ± 0.3				APPROVED	