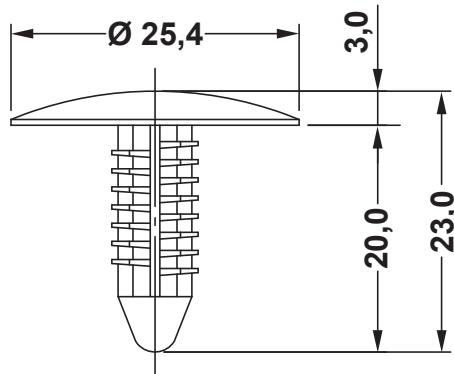
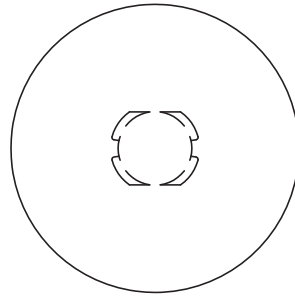



DIM.	TOL
5mm DOWN	±0.2
5~20mm	±0.3
20~40mm	±0.4
40~60mm	±0.5
60~100mm	±0.8
100mm UP	±1.0

REVISIONS			
REV	DESCRIPTION	DATE	BY



MOUNTING HOLE:  $\varnothing 7.0\text{mm}$   
 PANEL THICKNESS: 2.54~20mm

NOTE: All measurement does not include gate which raises under 0.3mm.

				TITLE MOUNTING BUTTON	
				MATERIAL NYLON 66 UL94V-2	DATE 21/10/2016
PART NUMBER 11370AA00				DRAWN R.F.	
				DRAWING NUMBER 16.10.21.11370.0.E	
SIZE A4				COLOR NATURAL	
SCALE 3:2				CHECK	
UNIT mm.				UNLESS OTHERWISE SPECIFIED TOLERANCE SEE ABOVE	
REV A				APPROVED	