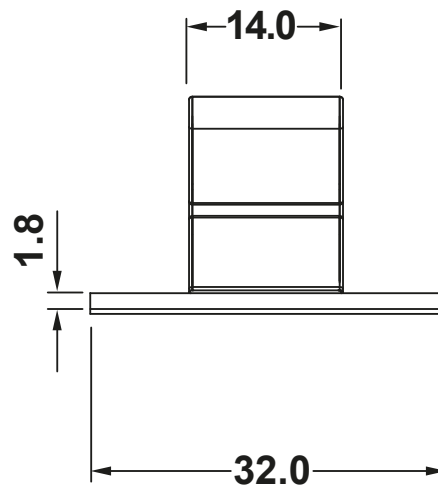
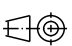



double side tape 3M 1600
0,8mm thickness



 Zeichnung / Drawing		PART NUMBER 11369AA01AS		TITLE SELF-ADHESIVE WIRE CLIPS	
		MATERIAL Nylon 66 UL94 V2			
		FARBE / COLOR Black			
www.fastpoint.de				Drw.No. 16.12.23.11369.O.E	
SIZE A 4	SCALE NTS	UNIT mm	TOLERANCE DIN ISO 2768-1 TOLERANCE UNLESS NOT SPECIFIED	DATE 23/12/2016	