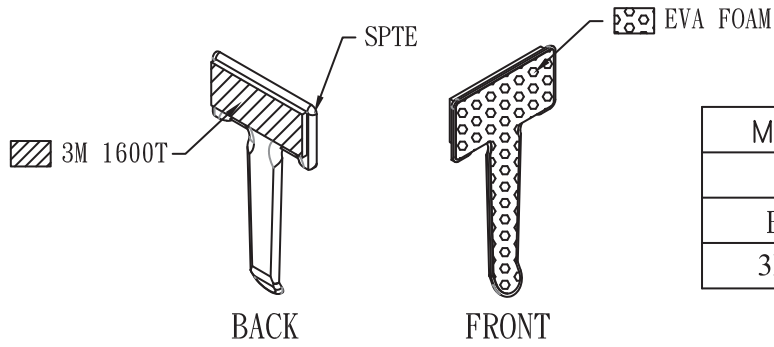
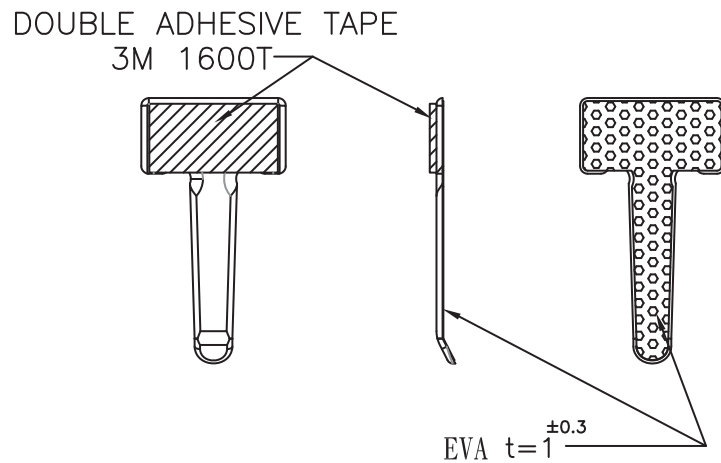
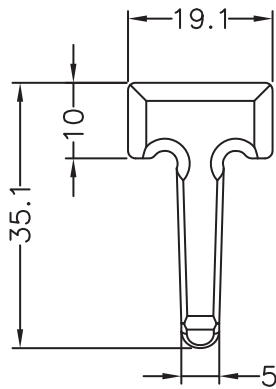


DIM.	TOL
L≤10	±0.2
10<L≤30	±0.3
30<L≤50	±0.5
50<L≤100	±0.7
100<L≤250	±1.2
ABOVE 250	±1.5

REVISIONS			
REV	DESCRIPTION	DATE	BY



MATERIAL	COLOR
SPTE	
EVA FOAM	WHITE
3M 1600T	



NOTE:1. THE HEIGHT IS NOT INCLUDE THE RELEASING PAPER AND ADHESIVE TAPE'S THICKNESS.

2. THE ADHESIVE TAPE IS CUT BY HAND , IT IS NORMAL IF THERE IS A NOT UNIFIED EDGE.



TITLE		WIRE MOUNT	
MATERIAL	SEE ABOVE	DATE	26/08/2016
ADESIVO		DRAWN	R.F.
PART NUMBER	DRAWING NUMBER	COLOR	CHECK
11367MC90AS	16.08.26.11367.0.E	SEE ABOVE	
SIZE	SCALE	UNIT	REV
A4	1:1	mm	A
UNLESS OTHERWISE SPECIFIED TOLERANCE		APPROVED	
SEE ABOVE			