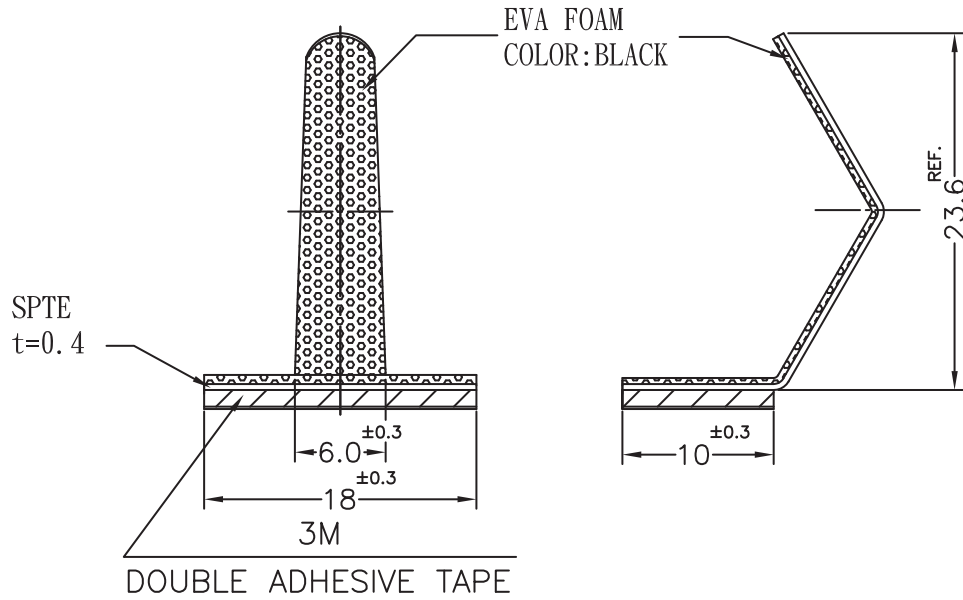


DIM.	TOL
L ≤ 10	±0.2
10 < L ≤ 30	±0.3
30 < L ≤ 50	±0.5
50 < L ≤ 100	±0.7
100 < L ≤ 250	±1.2
ABOVE 250	±1.5

REVISIONS			
REV	DESCRIPTION	DATE	BY



DOUBLE ADHESIVE TAPE
3M THICKNESS=0.9mm

NOTE:1. THE ADHESIVE TAPE IS CUT BY HAND, IT IS NORMAL IF THERE IS A NOT UNIFIED EDGE.

2. THE HEIGHT IS NOT INCLUDE THE RELEASING PAPER AND ADHESIVE TAPE'S THICKNESS.



		TITLE	
		WIRE MOUNT	
PART NUMBER		MATERIAL	DATE
11366MC90AS		SEE ABOVE	26/08/2016
DRAWING NUMBER		ADESIVO	DRAWN
16.08.26.11366.0.E			R.F.
SIZE	SCALE	COLOR	CHECK
A4	NONE	SEE ABOVE	
UNIT	REV	UNLESS OTHERWISE SPECIFIED TOLERANCE	APPROVED
mm	C	SEE ABOVE	