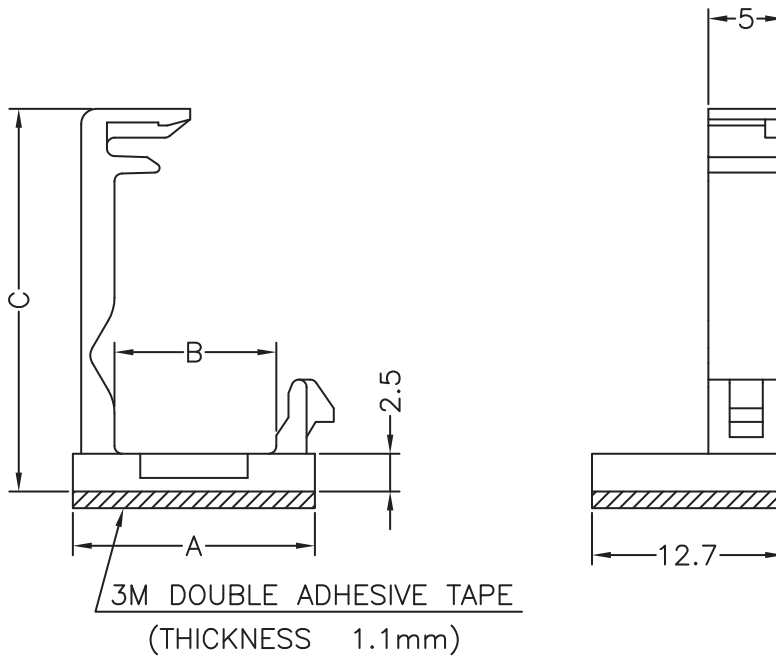



| DIM.     | TOL  |
|----------|------|
| 5mm DOWN | ±0.2 |
| 5~20mm   | ±0.3 |
| 20~40mm  | ±0.4 |
| 40~60mm  | ±0.5 |
| 60~100mm | ±0.8 |
| 100mm UP | ±1.0 |

| REVISIONS |             |      |    |
|-----------|-------------|------|----|
| REV       | DESCRIPTION | DATE | BY |
|           |             |      |    |
|           |             |      |    |



- NOTE:1. The height is not included thickness of adhesive tape and separate paper.  
 2. All measurement does not include gate which raises under 0.3mm.  
 3. The adhesive tape is cut by hand ,it is normal if there is a not unified edge.  
 4. The reduced is normal.

| PART NO.  | A    | B    | C    |
|-----------|------|------|------|
| 11347AA00 | 16.0 | 10.7 | 25.3 |
| 11348AA00 | 21.6 | 16.3 | 36.1 |

|  |                                      |                              |                    |
|--|--------------------------------------|------------------------------|--------------------|
|  |                                      | TITLE<br>WIRE MOUNT          |                    |
|  |                                      | MATERIAL<br>NYLON 66 UL94V-2 | DATE<br>12/09/2016 |
|  |                                      | ADESIVO                      | DRAWN<br>R.F.      |
| PART NUMBER<br>SEE TABLE   | DRAWING NUMBER<br>16.09.12.11347.0.E | COLOR<br>NATURAL             | CHECK              |
| SIZE<br>A4   | SCALE<br>2:1                         | UNIT<br>mm                   | REV<br>A           |
| UNLESS OTHERWISE SPECIFIED TOLERANCE<br>SEE ABOVE                                  |                                      | APPROVED                     |                    |