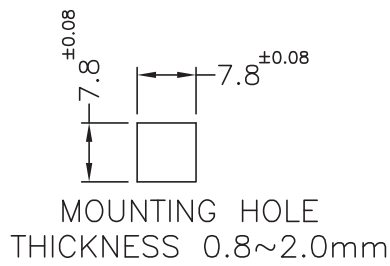
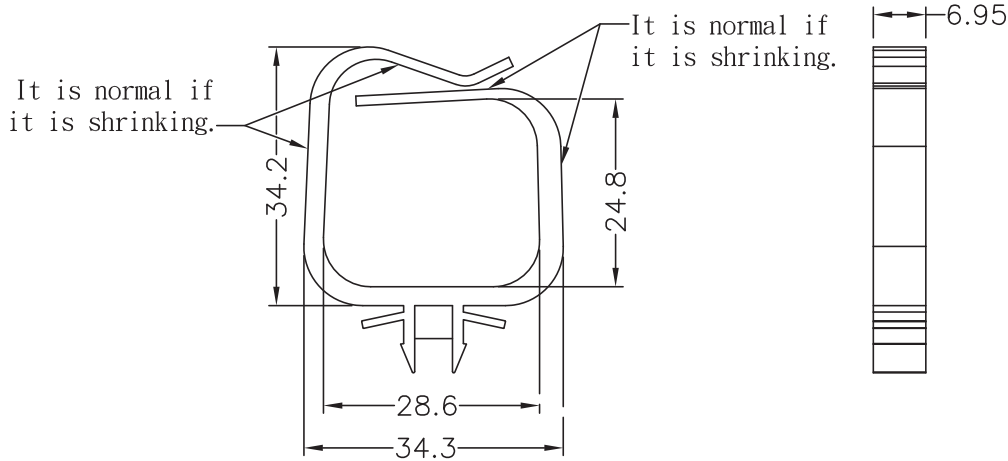
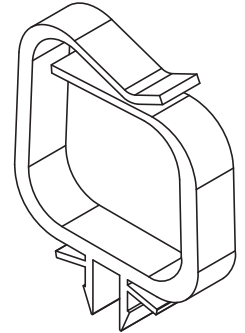


**REVISIONS**

REV	DESCRIPTION	DATE	BY



NOTE: All measurement does not include gate which raises under 0.3 mm.



				TITLE <b>HARNES CLIP STANDOFF</b>			
				MATERIAL NYLON 66 UL94-V-2		DATE 15/09/2015	
				DRAWN S.P.			
PART NUMBER 10978AA00		DRAWING NUMBER 15.09.15.10978.0.E		COLOR NATURAL		CHECK	
SIZE A4	SCALE 1:1	UNIT mm	REV A	UNLESS OTHERWISE SPECIFIED TOLERANCE ±0.25		APPROVED	