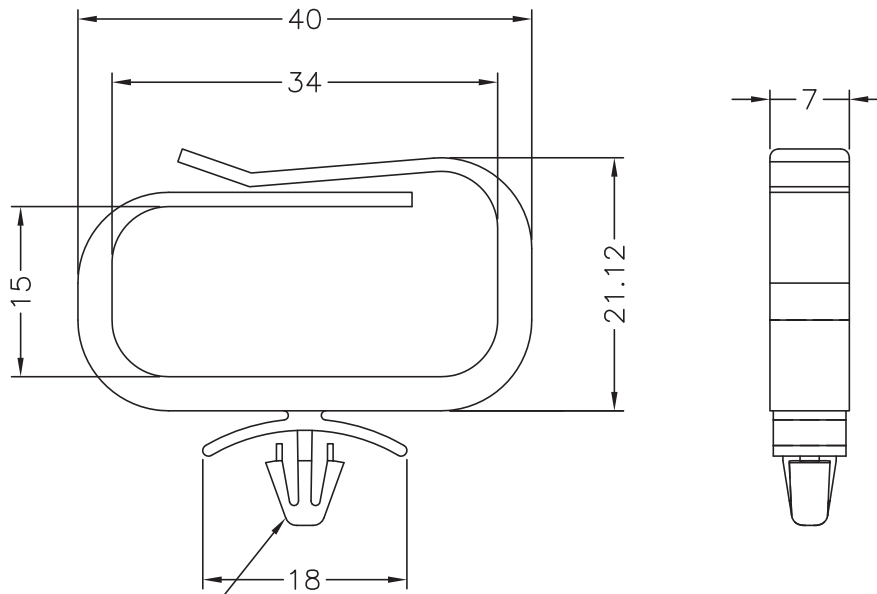


DIM.	TOL.
5mm DOWN	±0.2
5~20mm	±0.3
20~40mm	±0.4
40~60mm	±0.5
60~100mm	±0.8
100mm UP	±1.0

REVISIONS			
REV	DESCRIPTION	DATE	BY



HOLE IN CHASSIS  $\phi 4.8$   
 CHASSIS THICKNESS 0.8~2.0

**NOTE:**

1. Shrinking is normal status.
2. All measurement does not include gate which raises under 0.3 mm.



				TITLE <b>HARNESS CLIP STANDOFF</b>			
				MATERIAL NYLON 66 UL94V-2		DATE 14/09/2015	
				DRAWN S.P.			
PART NUMBER 10976AA00		DRAWING NUMBER 15.09.14.10976.0.E		COLOR NATURAL		CHECK	
SIZE A4	SCALE 3:2	UNIT mm	REV A	UNLESS OTHERWISE SPECIFIED TOLERANCE SEE ABOVE		APPROVED	