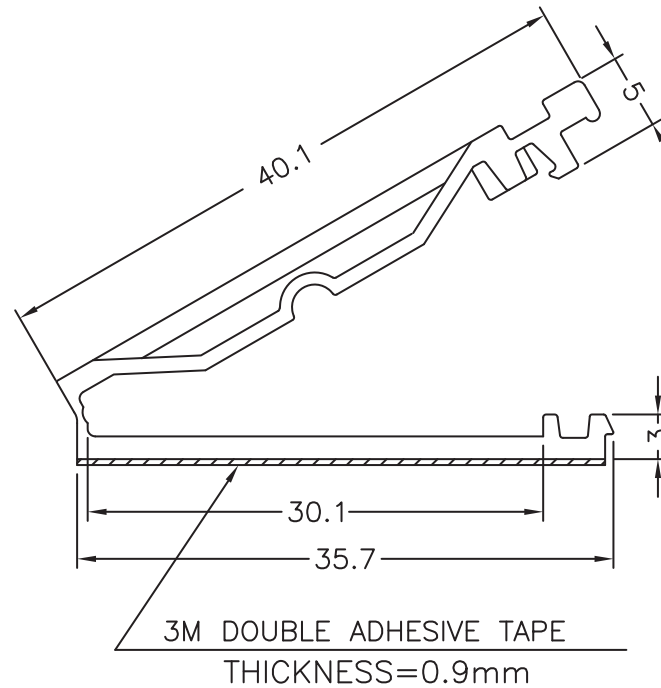
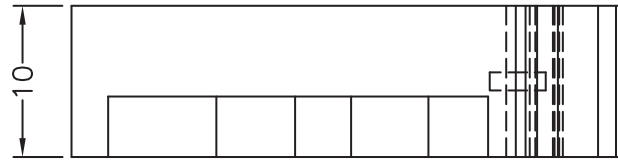



| Dimensions | Tolerance |
|------------|-----------|
| 5mm DOWN | ±0.2 |
| 5~20mm | ±0.3 |
| 20~40mm | ±0.4 |
| 40~60mm | ±0.5 |
| 60~100mm | ±0.8 |
| 100mm UP | ±1.0 |



NOTE:

1. The height is not including the thickness of release paper

| REV. | DESCRIPTION | DATE | TITLE: Cable holder | DWG UNIT: MM |
|------|-----------------------------|------|---|--------------------------|
| | MATERIAL: PA 66 (UL) 94 V-2 | | Modelled in RHINO 4.0 | FILE: 12/12/14 |
| | COLOUR: NATURAL | | TOLLERANCES UNLESS NOTED | DwN: SHEET: 1 OF 1 |
| | | | .XX= +/-010 | DT: 14.12.12.10767.E.0 |
| | | | .XXX= +/-005 | Part Number: 10767AA00AS |
| | | | FRAC.= +/- 1/64 | |
| | | | ANG.= +/-1° | |
| | | | SCALE: NTS | |
| | | |  | |