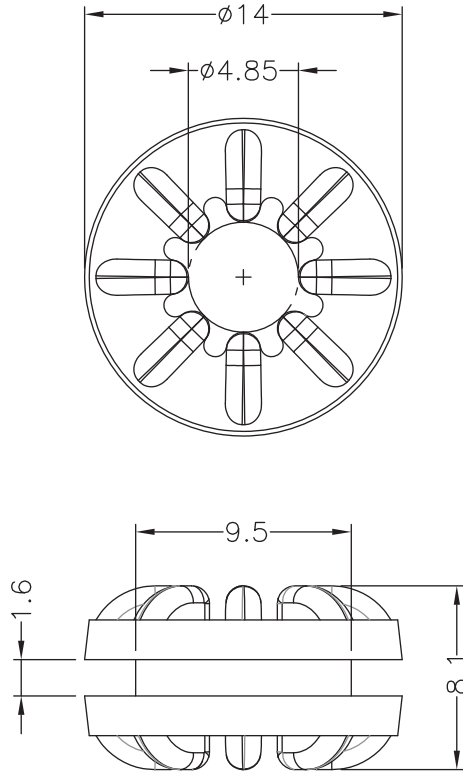


| DIM. | TOL. |
|----------|------|
| 5mm DOWN | ±0.2 |
| 5~20mm | ±0.3 |
| 20~40mm | ±0.4 |
| 40~60mm | ±0.5 |
| 60~100mm | ±0.8 |
| 100mm UP | ±1.0 |

| REVISIONS | | | |
|-----------|-------------|------|----|
| REV | DESCRIPTION | DATE | BY |
| | | | |
| | | | |
| | | | |



| | | | | | | | |
|------------------|-------|--------------------|-----|--------------------------------------|-------|----------|------------|
| fastpoint | | TITLE | | ANTI-VIBRATE GROMMET | | | |
| | | MATERIAL | | TPE | DATE | | 15/09/2015 |
| | | HARDNESS | | 45°C ± 10°C | DRAWN | | S.P. |
| | | COLOR | | BLACK | CHECK | | |
| PART NUMBER | | DRAWING NUMBER | | UNLESS OTHERWISE SPECIFIED TOLERANCE | | APPROVED | |
| 10766PF01 | | 15.09.15.10766.0.E | | SEE ABOVE | | | |
| SIZE | SCALE | UNIT | REV | | | | |
| A4 | 5:1 | mm | A | | | | |