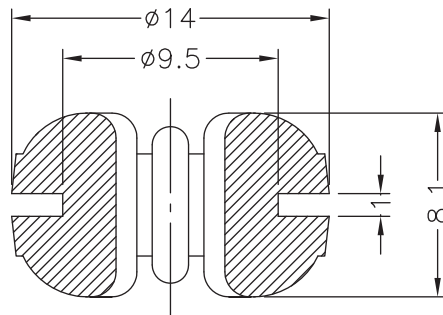
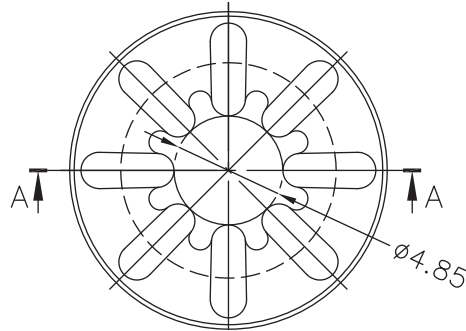


DIM.	TOL.
5mm DOWN	±0.2
5~20mm	±0.3
20~40mm	±0.4
40~60mm	±0.5
60~100mm	±0.8
100mm UP	±1.0

REVISIONS			
REV	DESCRIPTION	DATE	BY



SECTION A-A



				TITLE <b>ANTI-VIBRATE GROMMET</b>			
				MATERIAL <b>TPE</b>		DATE <b>15/09/2015</b>	
				HARDNESS <b>45°C ± 10°C</b>		DRAWN <b>S.P.</b>	
PART NUMBER <b>10755PF01</b>		DRAWING NUMBER <b>15.09.15.10755.0.E</b>		COLOR <b>BLACK</b>		CHECK	
SIZE <b>A4</b>	SCALE <b>3:1</b>	UNIT <b>mm</b>	REV <b>A</b>	UNLESS OTHERWISE SPECIFIED TOLERANCE <b>SEE ABOVE</b>		APPROVED	