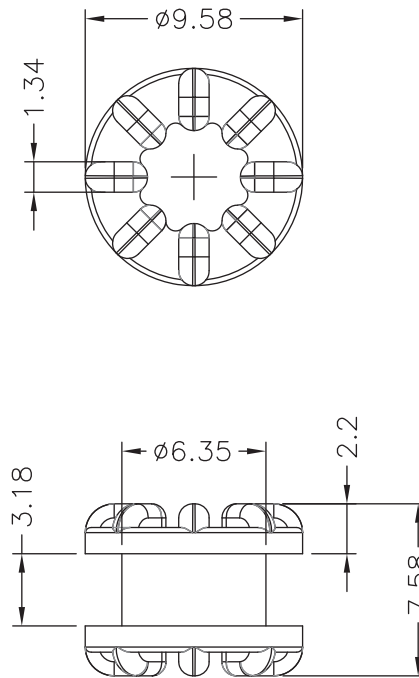


DIM.	TOL.
5mm DOWN	±0.2
5~20mm	±0.3
20~40mm	±0.4
40~60mm	±0.5
60~100mm	±0.8
100mm UP	±1.0

REVISIONS			
REV	DESCRIPTION	DATE	BY



fastpoint		TITLE		ANTI-VIBRATE GROMMET	
		MATERIAL	TPE	DATE	15/09/2015
		HARDNESS		DRAWN	S.P.
PART NUMBER	10749PF01	DRAWING NUMBER	15.09.15.10749.0.E	COLOR	BLACK
SIZE	A4	SCALE	3:1	UNIT	mm
		REV	A	UNLESS OTHERWISE SPECIFIED TOLERANCE	SEE ABOVE
				CHECK	
				APPROVED	