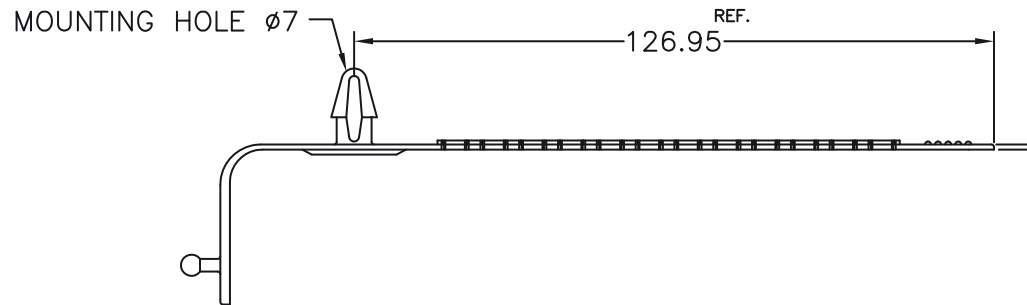
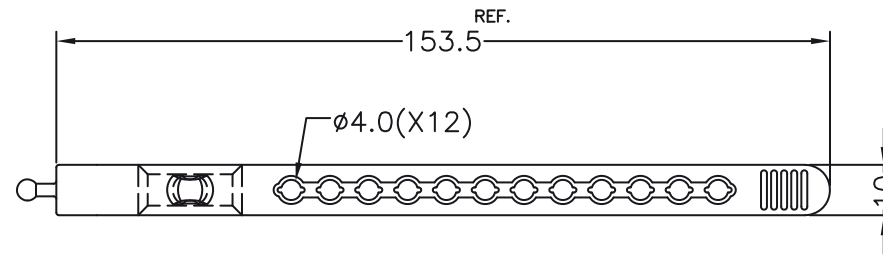
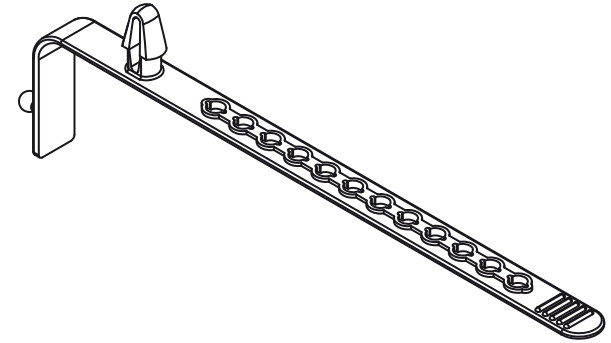


Dimensions	Tolerance
5mm DOWN	±0.2
5~20mm	±0.3
20~40mm	±0.4
40~60mm	±0.5
60~100mm	±0.8
100mm UP	±1.0



REV.	DESCRIPTION	DATE	TITLE: PUSH MOUNT CABLE TIE	DWG UNIT: MM
	MATERIAL: LD-PE		Modelled in RHINO 4.0	FILE: 11/12/14
	COLOUR: BLACK		TOLLERANCES UNLESS NOTED	DwN: SHEET: 1 OF 1
			.XX= +/-010	DT: 14.11.12.10722.E.0
			.XXX= +/-005	Part Number: 10722EA01
			FRAC.= +/- 1/64	
			ANG.= +/-1°	
			SCALE: 2:3	
			