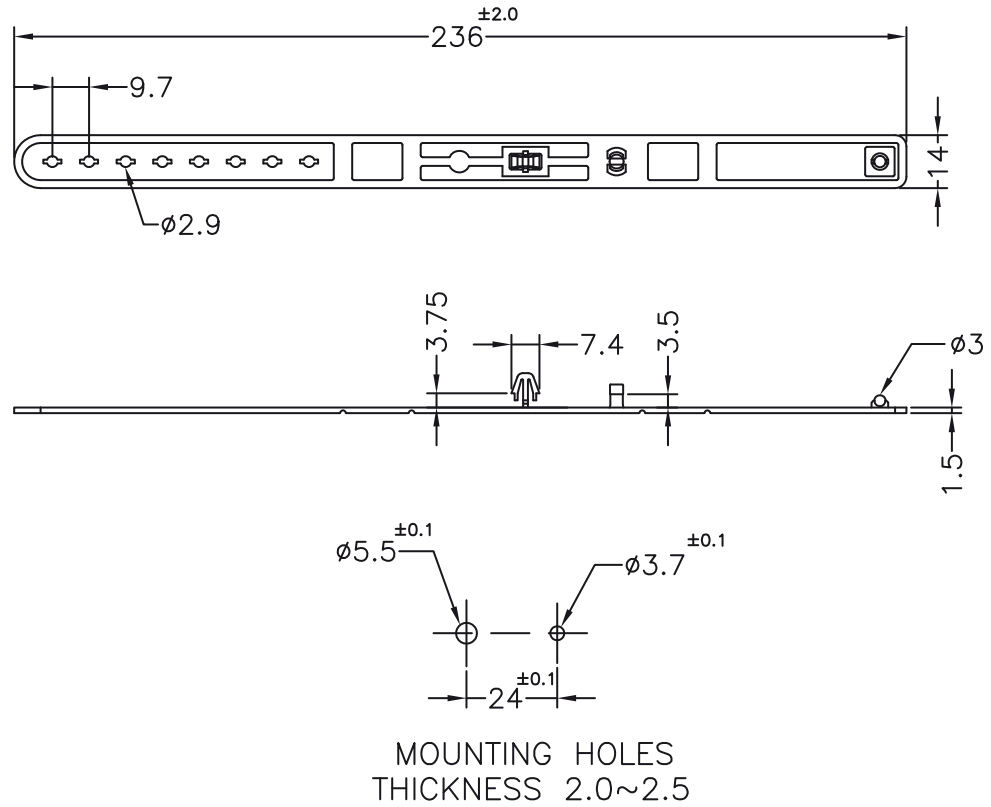


Dimensions	Tolerance
5mm DOWN	±0.2
5~20mm	±0.3
20~40mm	±0.4
40~60mm	±0.5
60~100mm	±0.8
100mm UP	±1.0



REV.	DESCRIPTION	DATE	TITLE: TWIST LOCK	DWG UNIT: MM
	MATERIAL: PA 66 (UL) 94 V-2		Modelled in RHINO 4.0	FILE: 10/12/14
	COLOUR: BLACK		TOLLERANCES UNLESS NOTED	DwN: DT: 14.10.12.10721.E.01
			.XX= +/-010	ChkD: Part Number: 10721AA01
			.XXX= +/-005	
			FRAC.= +/- 1/64	
			ANG.= +/-1°	
			SCALE: 1:2	
			