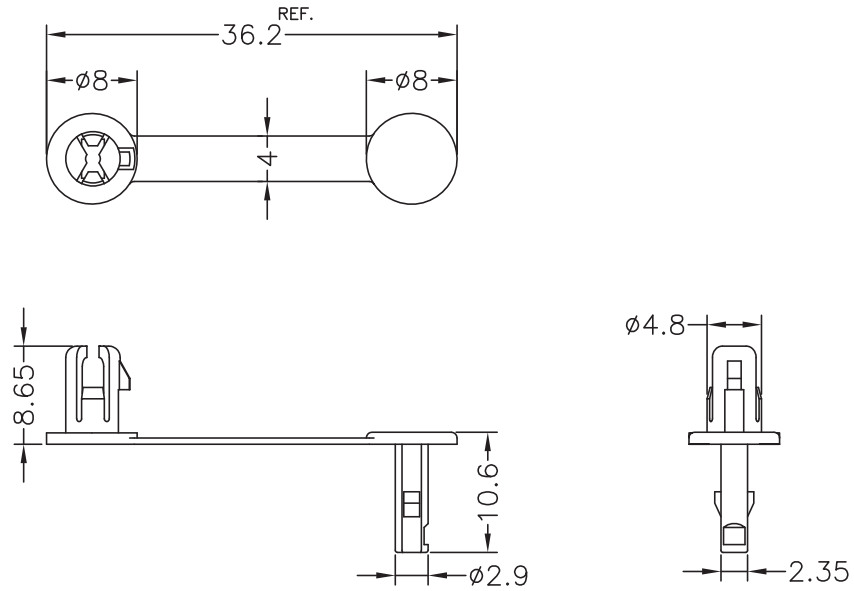


Dimensions	Tolerance
5mm DOWN	±0.2
5~20mm	±0.3
20~40mm	±0.4
40~60mm	±0.5
60~100mm	±0.8
100mm UP	±1.0



CHASSIS HOLE Ø 4.8  
 CHASSIS THICKNESS MAX 3.5

REV.	DESCRIPTION	DATE	TITLE: Cable fastener band	FILE: 23/12/14	DwN:	DT: 14.23.12.10717.E.0	Part Number: 10717AA01
	MATERIAL: PA 6 (UL) 94 V-2		Modelled in RHINO 4.0	SHEET: 1 OF 1	ChkD:	DWG UNIT: MM	
	COLOUR: BLACK		TOLLERANCES UNLESS NOTED	SCALE:			
			.XX= +/-010	NTS			
			.XXX= +/-005				
			FRAC.= +/- 1/64				
			ANG.= +/-1°				

