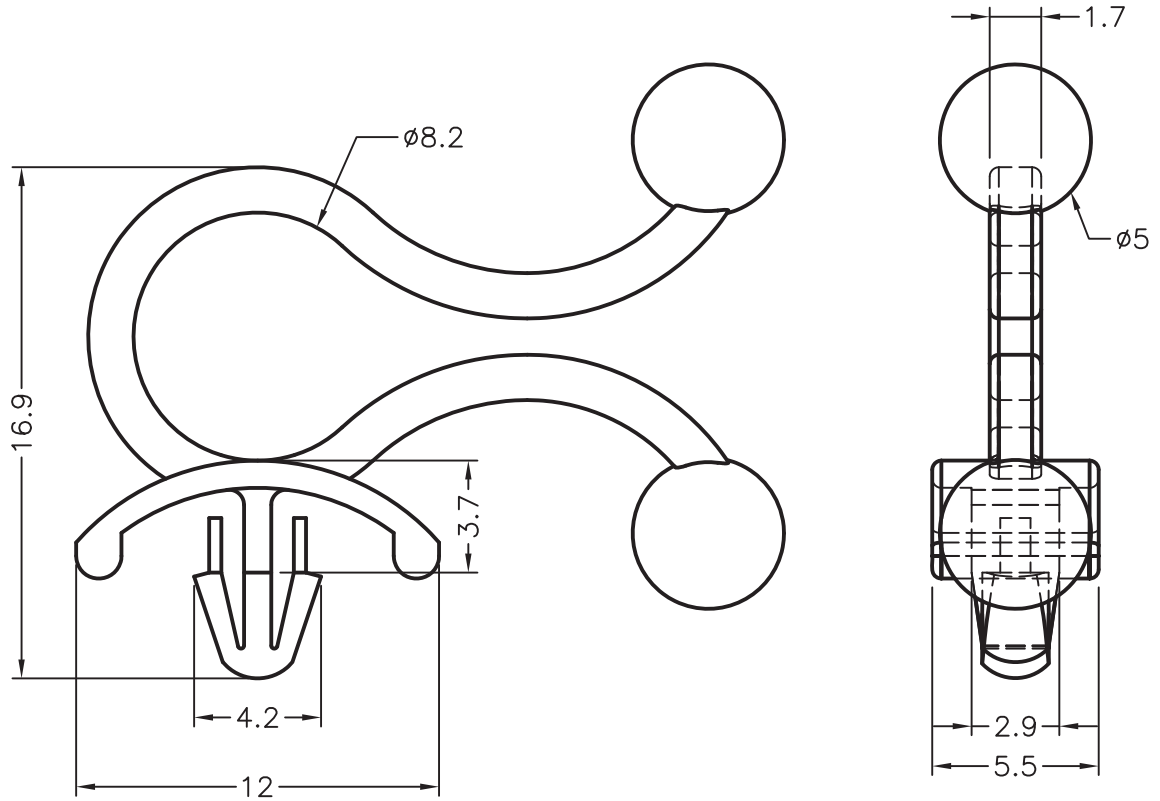


DIM.	TOL
5mm DOWN	±0.2
5~20mm	±0.3
20~40mm	±0.4
40~60mm	±0.5
60~100mm	±0.8
100mm UP	±1.0

REVISIONS			
REV	DESCRIPTION	DATE	BY



MOUNTING HOLE: $\phi 3$
 CHASSIS THICKNESS: 0.8~2.0

NOTE: All measurement does not include gate which raises under 0.3mm.



TITLE PUSH MOUNT TWIST LOCK		MATERIAL PA66 V2 UL94	DATE 17/05/2011
		COLOR NATURAL	DRAWN J.D.
PART NUMBER 10709AA00	DRAWING NUMBER 11.05.17.10709.0.E	CHECK (blank)	APPROVED (blank)
SIZE A4	SCALE 4:1	UNIT mm.	REV A
UNLESS OTHERWISE SPECIFIED TOLERANCE SEE ABOVE		APPROVED (blank)	