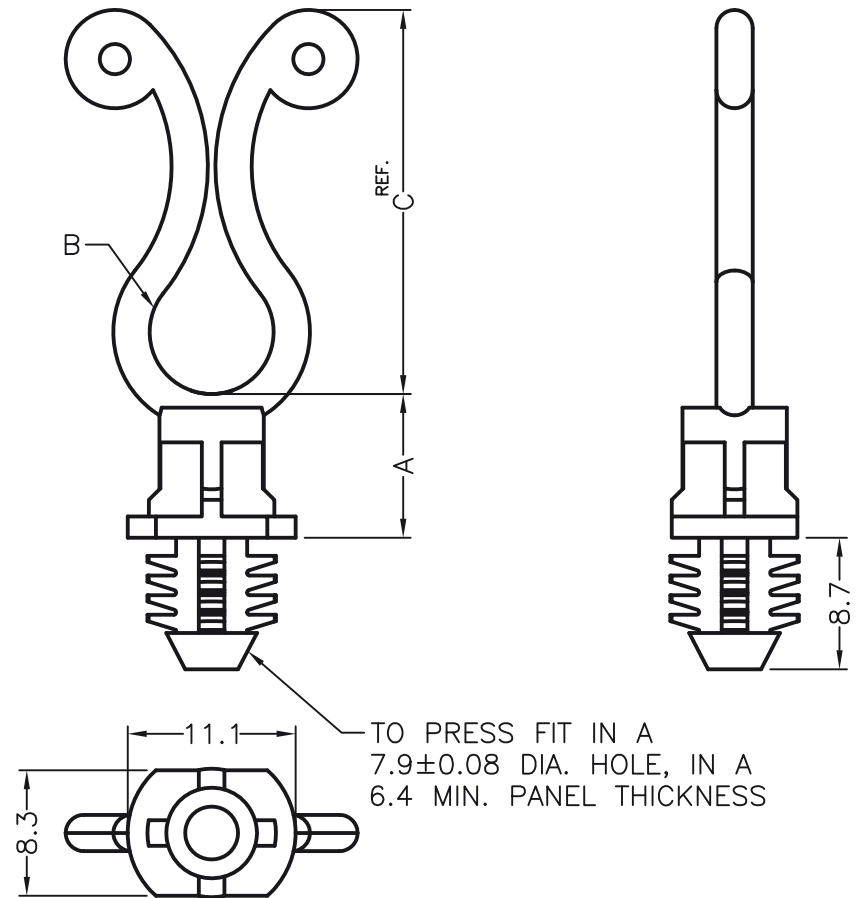


Dimensions	Tolerance
L≤10	±0.2
10<L≤30	±0.3
30<L≤50	±0.5
50<L≤100	±0.7
100<L≤250	±1.2
ABOVE 250	±1.5

PART NO.	A	B BUNDLE DIA. RANGE	C
10696AA00	6.4	7.6~10.2	25.4
10697AA00	9.5		
10698AA00	12.7		
10699AA00	15.9		
10700AA00	6.4	10.2~12.7	28.6
10701AA00	9.5		
10702AA00	12.7		
10703AA00	15.9		
10704AA00	6.4	17.8~20.3	38.1
10705AA00	9.5		
10706AA00	12.7		
10707AA00	15.9		



REV.	DESCRIPTION	DATE	TITLE: Cable twist look push mount	DWG UNIT: MM
	MATERIAL: PA 66 (UL) 94 V-2		Modelled in RHINO 4.0	FILE: 23/12/14
	COLOUR: NATURAL		TOLERANCES UNLESS NOTED	DwN:
			.XX= +/-010	ChkD:
			.XXX= +/-005	DT: 14.23.12.1069X.E.0
			FRAC.=+/- 1/64	Part Number: See table
			ANG.=+/-1°	
			SHEET: 1 OF 1	
			SCALE: NTS	