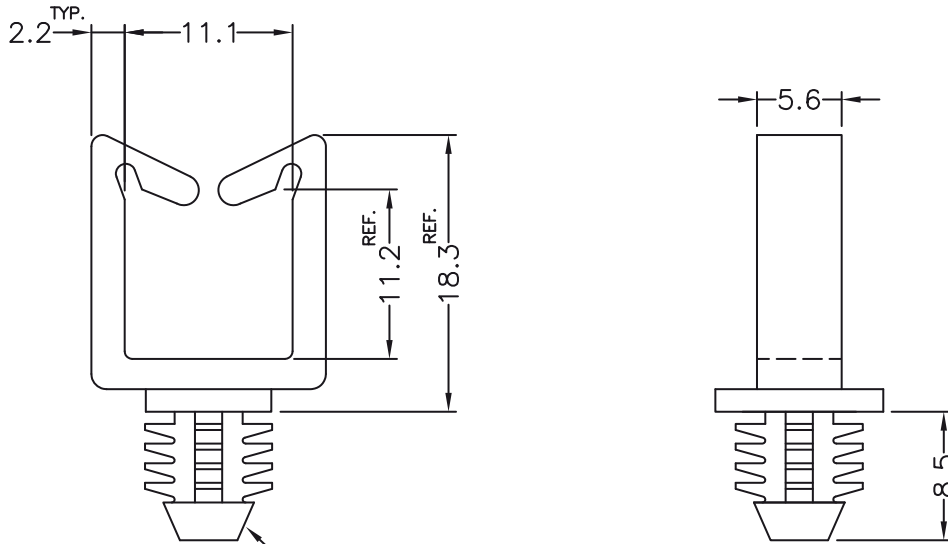
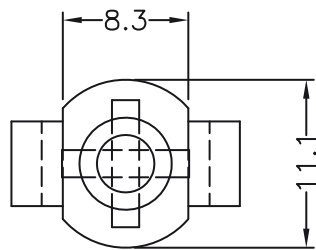


DIM.	TOL
5mm DOWN	±0.2
5~20mm	±0.3
20~40mm	±0.4
40~60mm	±0.5
60~100mm	±0.8
100mm UP	±1.0

REVISIONS			
REV	DESCRIPTION	DATE	BY



HOLE IN P.C.B $\phi 7.9\text{mm}$
P.C.B THICKNESS 6.4mm(MIN)



fastpoint		TITLE	WIRE CLIP	DATE	17/05/2011
		MATERIAL	PA66 V2 UL 94	DRAWN	J.D.
		FINISH		CHECK	
		COLOR	NATURAL	APPROVED	
PART NUMBER	10694AA00	DRAWING NUMBER	11.05.10694.6.0.E	UNLESS OTHERWISE SPECIFIED TOLERANCE	SEE ABOVE
SIZE	A4	SCALE	2:1	UNIT	mm.
		REV	C		