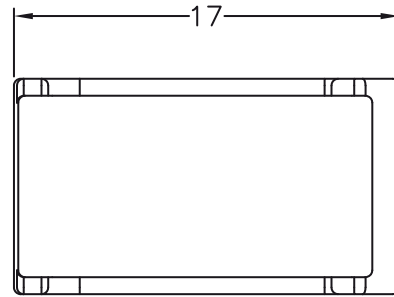
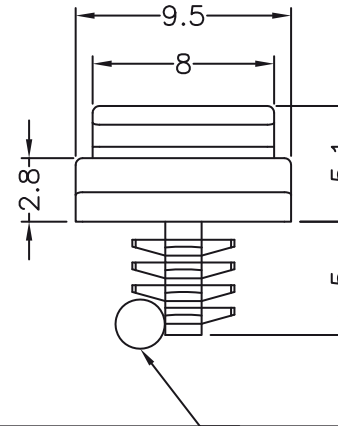
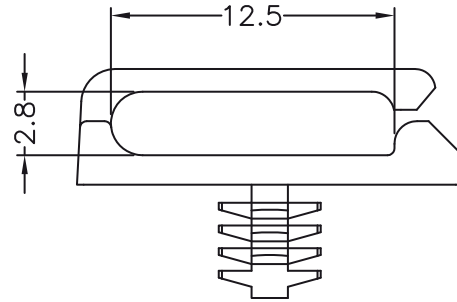


Dimensions	Tolerance
L≤10	±0.2
10<L≤30	±0.3
30<L≤50	±0.5
50<L≤100	±0.7
100<L≤250	±1.2
ABOVE 250	±1.5



MOUNTING HOLE
PANEL THICKNESS 4.0 MIX.



NOTE: Due to tool design, it is normal to have broken dot in different direction.

REV.	DESCRIPTION	DATE	TITLE: Cable holder push mount	DWG UNIT: MM
	MATERIAL: PA 66 (UL) 94 V-2		Modelled in RHINO 4.0	FILE: 12/12/14
	COLOUR: NATURAL		TOLLERANCES UNLESS NOTED	DwN:
			.XX= +/-010	ChkD:
			.XXX= +/-005	DT: 14.12.12.10689.E.0
			FRAC.= +/- 1/64	Part Number: 10689AA00
			ANG.= +/-1°	
			SCALE: NTS	