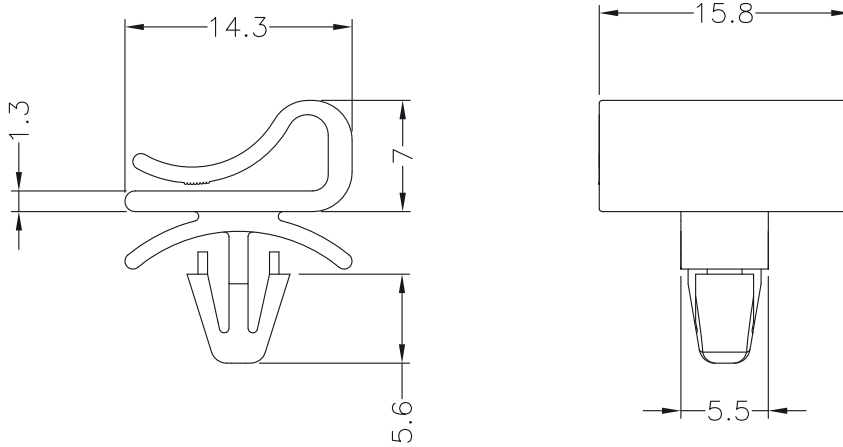


| DIM.     | TOL  |
|----------|------|
| 5mm DOWN | ±0.2 |
| 5~20mm   | ±0.3 |
| 20~40mm  | ±0.4 |
| 40~60mm  | ±0.5 |
| 60~100mm | ±0.8 |
| 100mm UP | ±1.0 |

| REVISIONS |             |      |    |
|-----------|-------------|------|----|
| REV       | DESCRIPTION | DATE | BY |
|           |             |      |    |
|           |             |      |    |



CHASSIS  $\phi$ 4.8mm  
THICKNESS 0.6~2.0mm

NOTE:1. All measurement does not include gate which raises under 0.3mm.  
2. Shrinking is normal status.



|                          |                                      |  |                    |          |
|--------------------------|--------------------------------------|--|--------------------|----------|
| <b>fastpoint</b>         |                                      | TITLE<br>WIRE SADDLE SIDE ENTRY                      |                    |          |
|                          |                                      | MATERIAL<br>PA66 V2 UL94                             | DATE<br>17/05/2011 |          |
|                          |                                      | FINISH   | DRAWN<br>J.D.      |          |
|                          |                                      | COLOR<br>NATURAL                                     | CHECK              |          |
| PART NUMBER<br>10681AA00 | DRAWING NUMBER<br>11.05.17.10610.0.E | UNLESS OTHERWISE SPECIFIED<br>TOLERANCE<br>SEE ABOVE |                    |          |
| SIZE<br>A4               | SCALE<br>NTS                         | UNIT<br>mm.  | REV<br>A           | APPROVED |