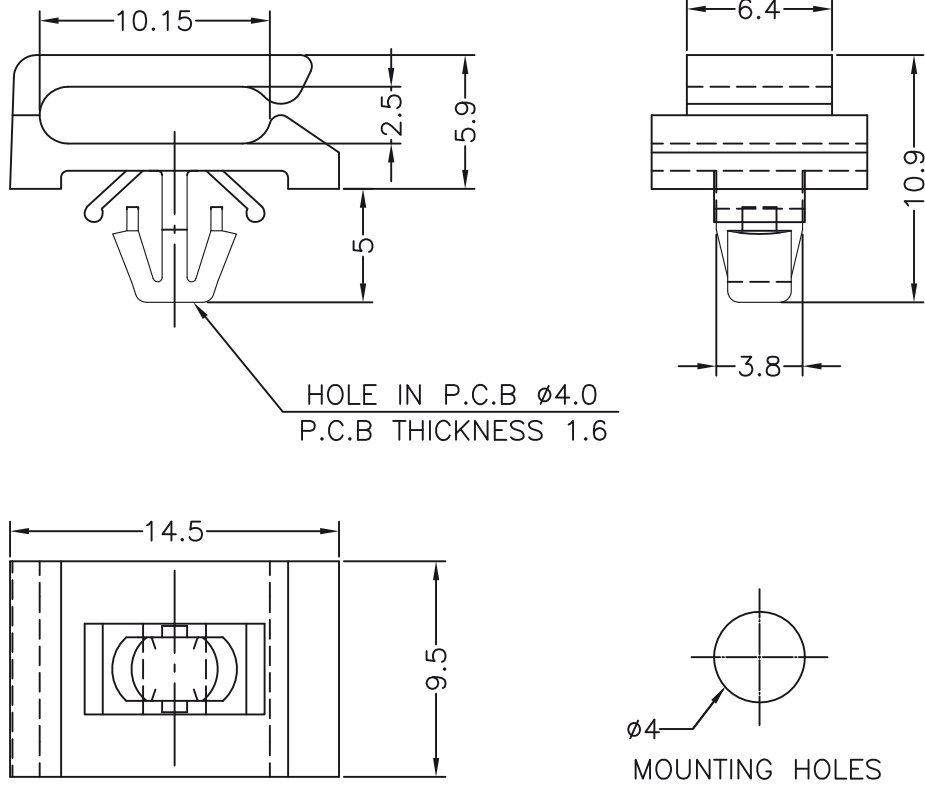



DIM.	TOL
5mm DOWN	±0.2
5~20mm	±0.3
20~40mm	±0.4
40~60mm	±0.5
60~100mm	±0.8
100mm UP	±1.0

REVISIONS			
REV	DESCRIPTION	DATE	BY



NOTE: All measurement does not include gate which raises under 0.3mm.

				TITLE	WIRE MOUNT	
				MATERIAL	PA66 V2 UL94	DATE
PART NUMBER 10546AA00				FINISH	DRAWN	J.D.
				COLOR	NATURAL	CHECK
DRAWING NUMBER		11.05.17.10546.0.E		UNLESS OTHERWISE SPECIFIED TOLERANCE		APPROVED
SIZE	SCALE	UNIT	REV	SEE ABOVE		
A4	3:1	mm.	C			