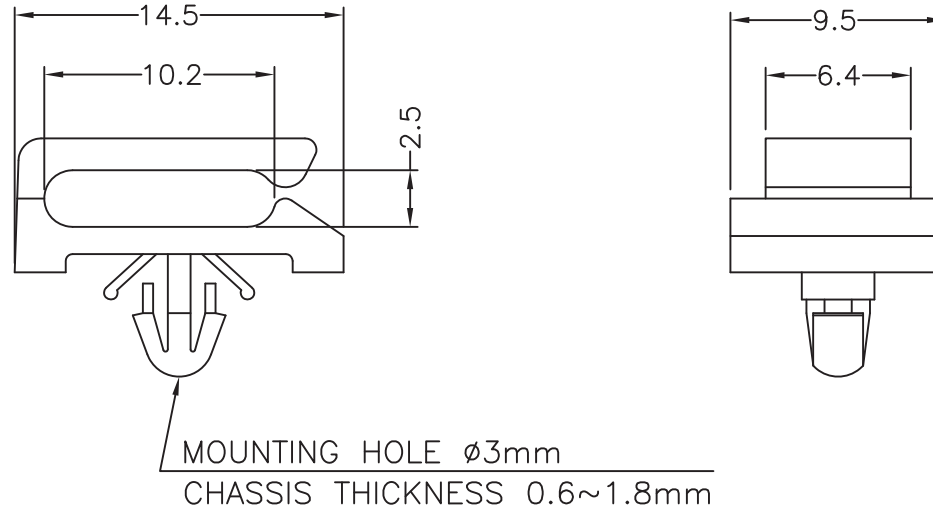


Dimensions	Tolerance
5mm DOWN	±0.2
5~20mm	±0.3
20~40mm	±0.4
40~60mm	±0.5
60~100mm	±0.8
100mm UP	±1.0



NOTE: All measurement does not include gate which raises under 0.3mm.

REV.	DESCRIPTION	DATE	TITLE: Cable holder push mount	FILE: 23/2/14	DwN:	DT: 14.23.12.10675.E.0	Part Number: 10675AA00
	MATERIAL: PA 66 (UL) 94 V-2		<i>Modelled in RHINO 4.0</i>				
	COLOUR: NATURAL		TOLLERANCES UNLESS NOTED	SHEET: 1 OF 1			
			.XX= +/-010	SCALE:			
			.XXX= +/-005	NTS			
			FRAC.= +/- 1/64				
			ANG.= +/-1°				

