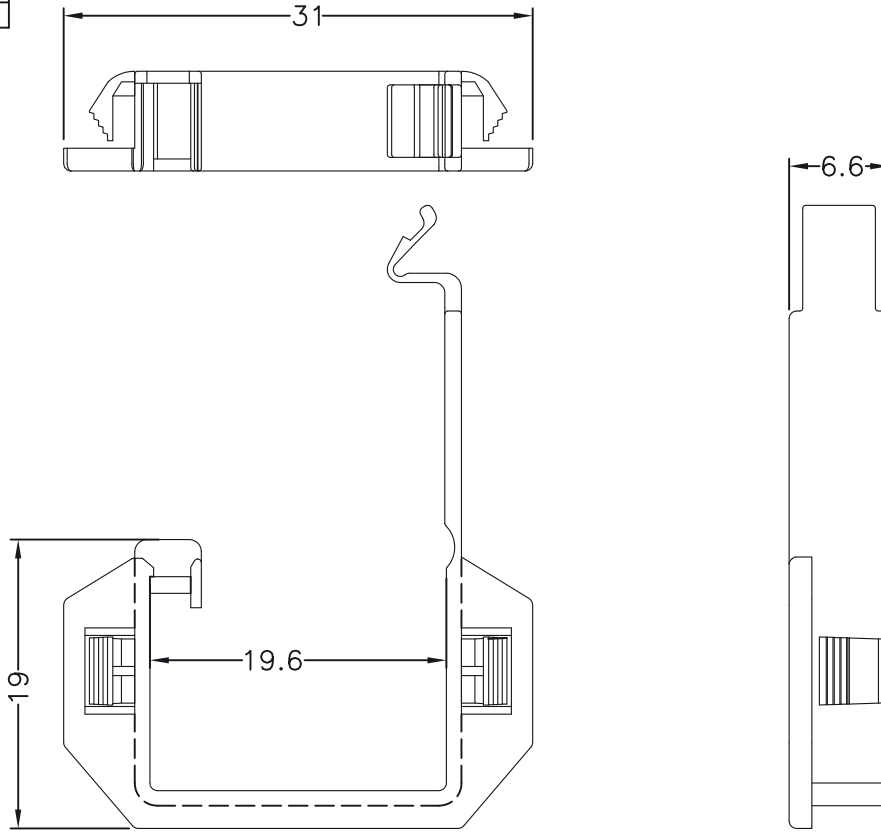
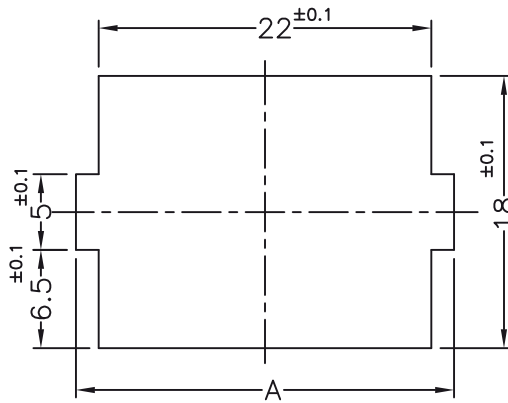


DIM.	TOL
L ≤ 10	±0.2
10 < L ≤ 30	±0.3
30 < L ≤ 50	±0.5
50 < L ≤ 100	±0.7
100 < L ≤ 250	±1.2
ABOVE 250	±1.5

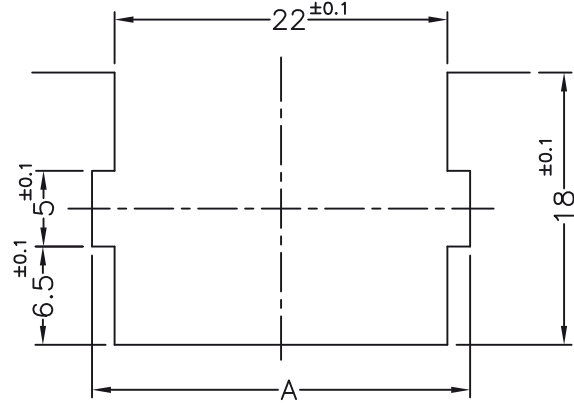
REVISIONS			
REV	DESCRIPTION	DATE	BY



PANEL MOUNTING DETAILS



THROUGH HOLE INSTALLATION



EDGE INSTALLATION

PANEL THICKNESS	A
0.8~1.6	25.0 <sup>±0.1</sup>
2.0	26.0 <sup>±0.1</sup>



TITLE <b>SQUARE SNAP BUSHING</b>		DATE 17/05/2011
MATERIAL PA66 V2 UL 94		DRAWN J.D.
FINISH		CHECK
COLOR <b>NATURAL</b>		APPROVED
UNLESS OTHERWISE SPECIFIED TOLERANCE <b>SEE ABOVE</b>		

PART NUMBER <b>10667AA00</b>		DRAWING NUMBER 11.05.10667.6.0.E	
SIZE A4	SCALE 2:1	UNIT mm.	REV C