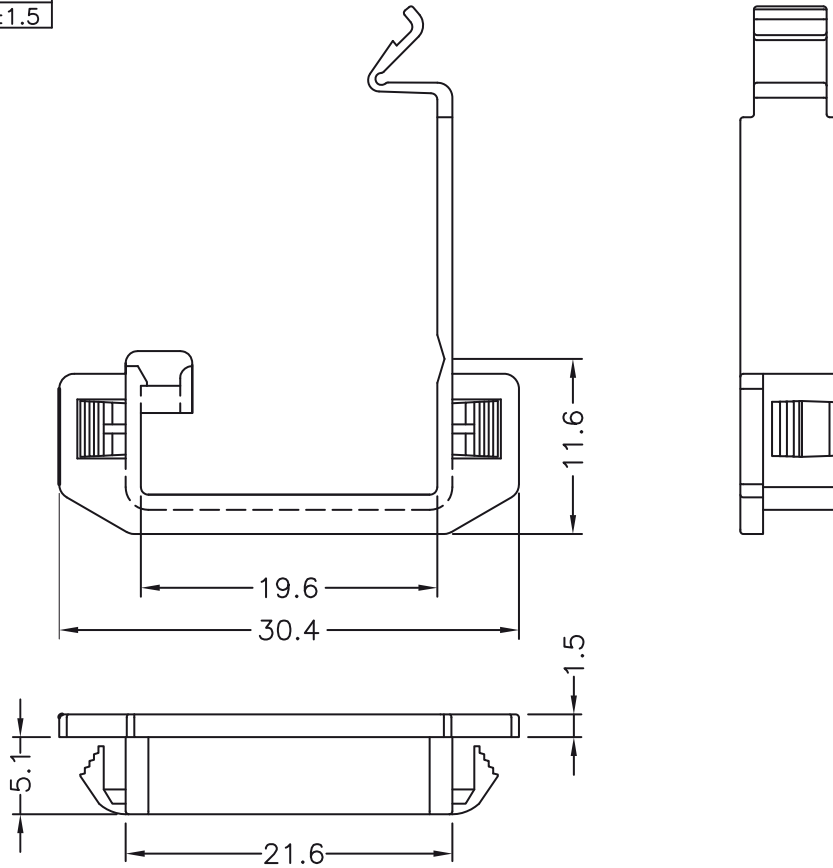


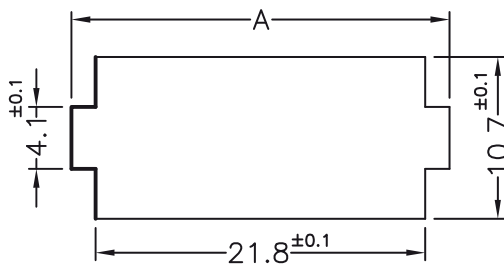
DIM.	TOL
L ≤ 10	±0.2
10 < L ≤ 30	±0.3
30 < L ≤ 50	±0.5
50 < L ≤ 100	±0.7
100 < L ≤ 250	±1.2
ABOVE 250	±1.5

REVISIONS			
REV	DESCRIPTION	DATE	BY

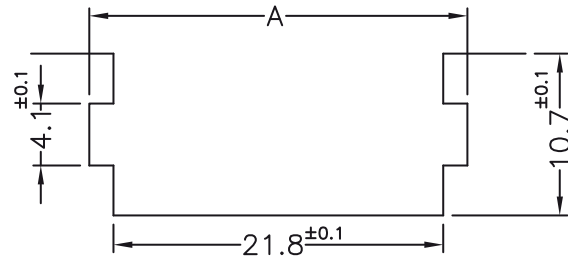


PANEL MOUNTING DETAILS

THROUGH HOLE INSTALLATION



EDGE INSTALLATION



PANEL THICKNESS	A
0.8~1.6	25.0 ±0.1
2.0	26.0 ±0.1



<b>fastpoint</b>		TITLE	SQUARE SNAP BUSHING	DATE	17/05/2011
		MATERIAL	PA66 V2 UL 94	DRAWN	J.D.
PART NUMBER	DRAWING NUMBER	COLOR	NATURAL	CHECK	
10666AA00	11.05.10666.6.0.E	UNLESS OTHERWISE SPECIFIED TOLERANCE	SEE ABOVE	APPROVED	
SIZE	SCALE	UNIT	REV		
A4	2:1	mm.	C		