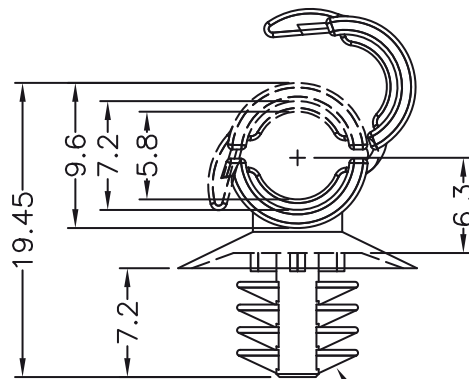
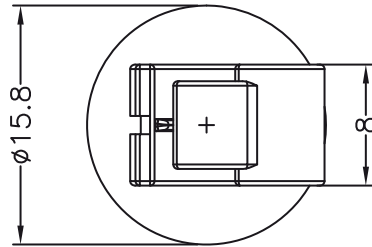


DIM.	TOL
L ≤ 10	±0.2
10 < L ≤ 30	±0.3
30 < L ≤ 50	±0.5
50 < L ≤ 100	±0.7
100 < L ≤ 250	±1.2
ABOVE 250	±1.5

REVISIONS			
REV	DESCRIPTION	DATE	BY



MOUNTING HOLE $\phi 6.5 \sim \phi 7.0$
 CHASSIS THICKNESS 0.8 ~ 3.0



fastpoint				TITLE	CABLE CLAMP		
				MATERIAL	PA66 V2 UL 94	DATE	17/05/2011
PART NUMBER 10664AA01				FINISH		DRAWN	J.D.
				COLOR	BLACK	CHECK	
DRAWING NUMBER 11.05.10664.6.0.E		UNIT	mm.	REV	C	UNLESS OTHERWISE SPECIFIED TOLERANCE	SEE ABOVE
SIZE	A4	SCALE	2:1	APPROVED			