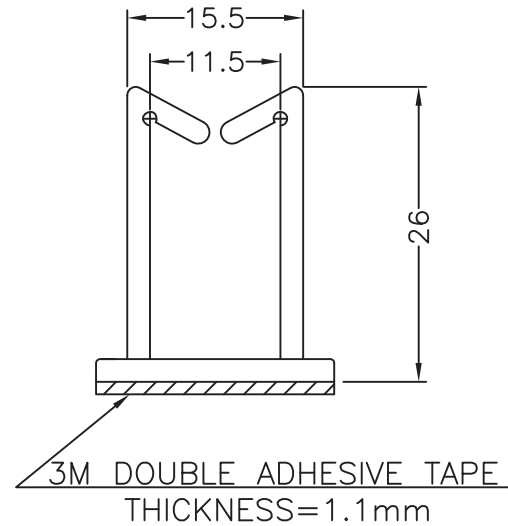
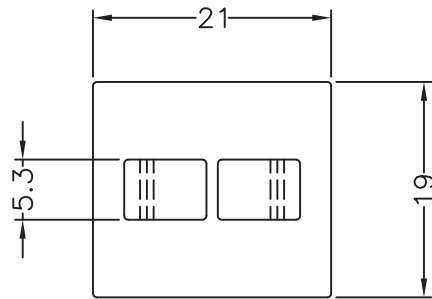


Dimensions	Tolerance
L≤10	±0.2
10<L≤30	±0.3
30<L≤50	±0.5
50<L≤100	±0.7
100<L≤250	±1.2
ABOVE 250	±1.5



Note:

1. The height is not included thickness of adhesive tape and separate paper
2. The adhesive tape is cut by hand, it is normal if there is a not unified edge
3. All measurement does not include gate which raises under 0.3 mm
4. The reduced is normal

REV.	DESCRIPTION	DATE	TITLE: Cable holder self adhesive	DWG UNIT: MM
	MATERIAL: PA 66 (UL) 94 V-2		Modelled in RHINO 4.0	FILE: 10/12/14
	COLOUR: NATURAL		TOLLERANCES UNLESS NOTED	DwN:
			.XX= +/-010	ChkD:
			.XXX= +/-005	DT: 14.10.12.10659.E.0
			FRAC.=+/- 1/64	Part Number: 10659AA00AS
			ANG.=+/-1°	
			SHEET: 1 OF 1	
			SCALE: NTS	
			