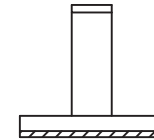
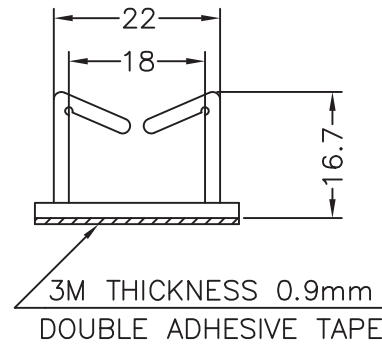
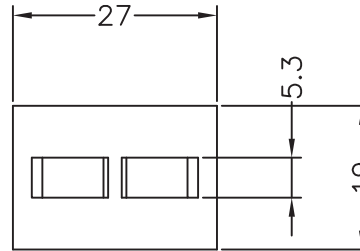


Dimensions	Tolerance
5mm DOWN	±0.2
5~20mm	±0.3
20~40mm	±0.4
40~60mm	±0.5
60~100mm	±0.8
100mm UP	±1.0



Note:

1. The height is not include the releasing paper and adhesive tape's thickness
2. Cutted face can't be very smooth, due to by hand-cutting

REV.	DESCRIPTION	DATE	TITLE: Cable holder self adhesive	DWG UNIT: MM
	MATERIAL: PA 66 (UL) 94 V-2		Modelled in RHINO 4.0	FILE: 10/12/14
	COLOUR: NATURAL		TOLLERANCES UNLESS NOTED	DwN:
			.XX= +/-010	ChkD:
			.XXX= +/-005	DT: 14.10.12.10657.E.0
			FRAC.= +/- 1/64	Part Number: 10657AA00AS
			ANG.= +/-1°	
			SHEET: 1 OF 1	
			SCALE: NTS	
				fastpoint