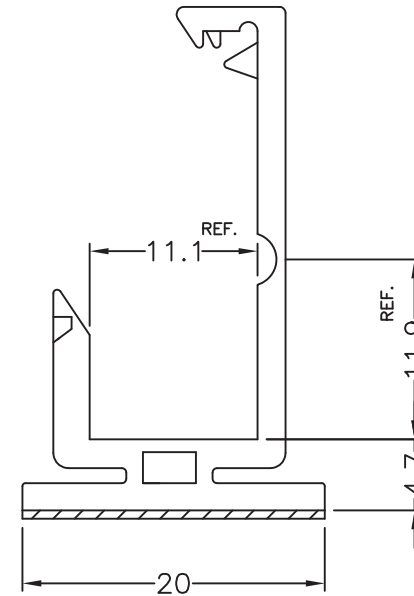
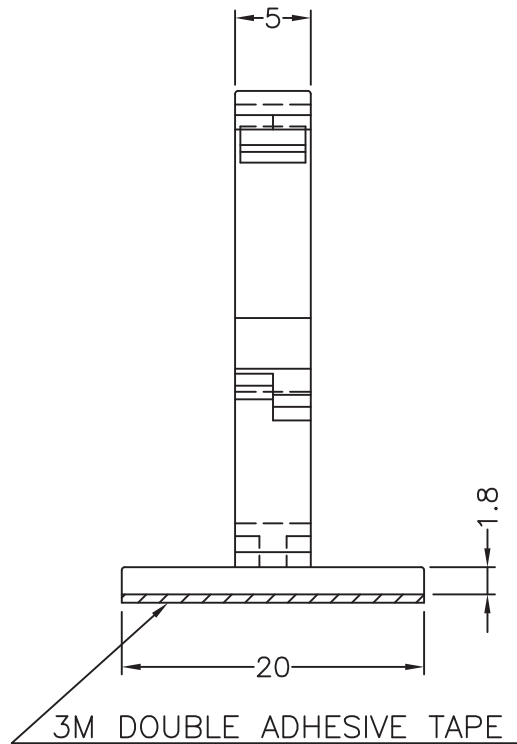


| Dimensions | Tolerance |
|------------|-----------|
| 5mm DOWN   | ±0.2      |
| 5~20mm     | ±0.3      |
| 20~40mm    | ±0.4      |
| 40~60mm    | ±0.5      |
| 60~100mm   | ±0.8      |
| 100mm UP   | ±1.0      |



Note:

1. The height is not included thickness of adhesive tape and separate paper
2. The reduced is normal

| DESCRIPTION                 |      | TITLE: Cable holder self adhesive |                | DWG UNIT: MM           |                          |
|-----------------------------|------|-----------------------------------|----------------|------------------------|--------------------------|
| MATERIAL: PA 66 (UL) 94 V-2 |      | Modelled in RHINO 4.0             | FILE: 10/12/14 | DwN:                   | ChkD:                    |
| COLOUR: NATURAL             |      | TOLLERANCES UNLESS NOTED          | SHEET: 1 OF 1  | DT: 14.10.12.10655.E.0 | Part Number: 10655AA00AS |
|                             |      | .XX= +/-010                       | SCALE:         |                        |                          |
|                             |      | .XXX= +/-005                      | NTS            |                        |                          |
| REV.                        | DATE | FRAC.= +/- 1/64                   |                |                        |                          |
|                             |      | ANG.= +/-1°                       |                |                        |                          |

