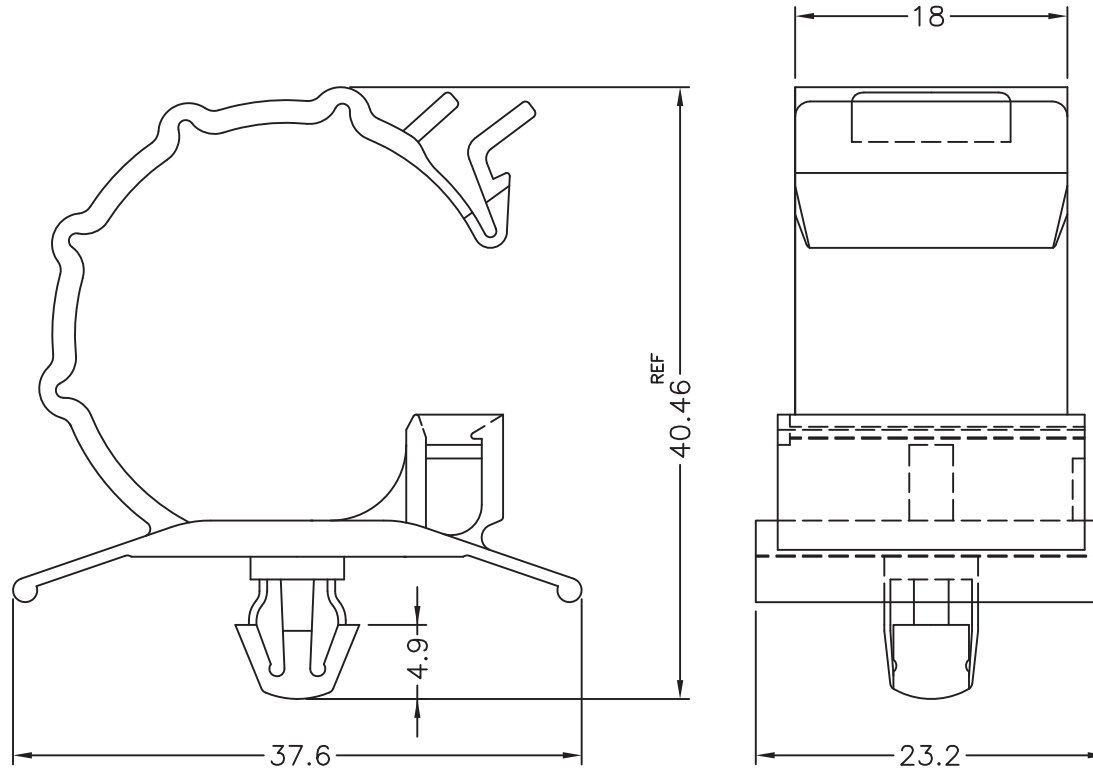


Dimensions	Tolerance
5mm DOWN	±0.2
5~20mm	±0.3
20~40mm	±0.4
40~60mm	±0.5
60~100mm	±0.8
100mm UP	±1.0



HOLE IN CHASSIS : $\phi 6.4$
 CHASSIS THICKNESS: 2.3~4.1mm

NOTE:

1. Measurement does not include gate which raises under 0.3 mm

REV.	DESCRIPTION	DATE	TITLE: Cable holder	FILE: 12/12/14	DwN:	DT: 14.12.12.10652.E.0	Part Number: 10652AA11
	MATERIAL: PA 66 (UL) 94 V-2		<i>Modelled in RHINO 4.0</i>	SHEET: 1 OF 1			
	COLOUR: GREY		TOLLERANCES UNLESS NOTED	SCALE:			
			.XX= +/-010	NTS			
			.XXX= +/-005				
			FRAC.= +/- 1/64				
			ANG.= +/-1°				

