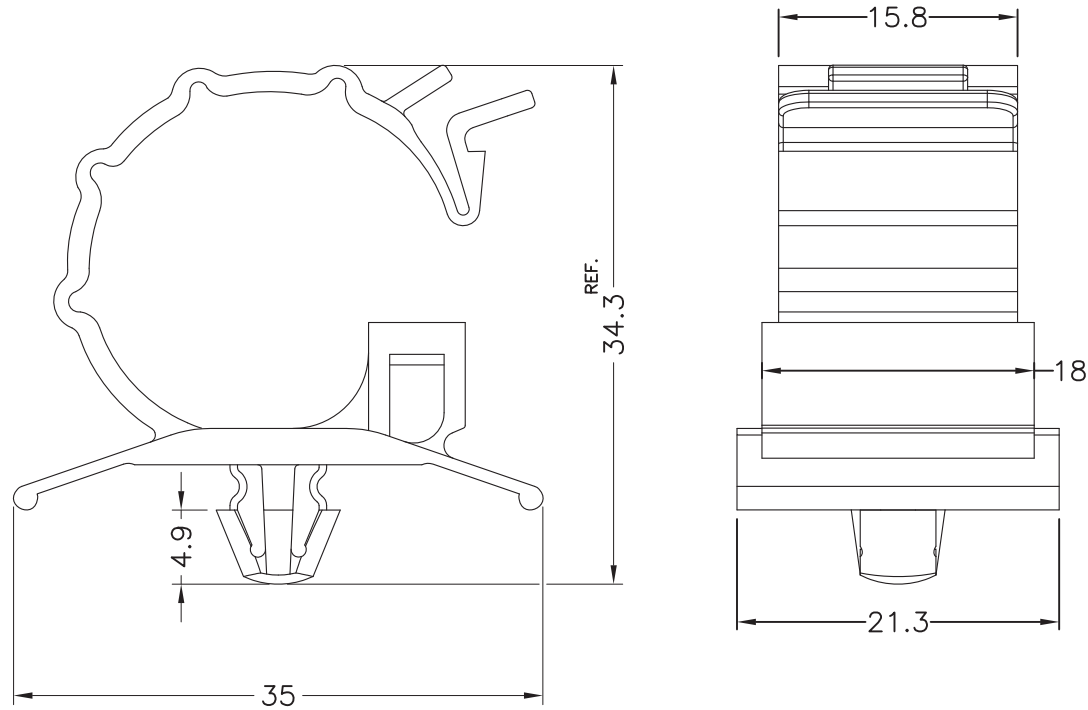


Dimensions	Tolerance
5mm DOWN	±0.2
5~20mm	±0.3
20~40mm	±0.4
40~60mm	±0.5
60~100mm	±0.8
100mm UP	±1.0



CHASSIS HOLE: $\phi 6.35^{+0.2}_{-0}$
 CHASSIS THICKNESS: 0.5~2.3mm

NOTE:

1. Measurement does not include gate which raises under 0.3 mm

REV.	DESCRIPTION	DATE	TITLE: Cable holder	FILE: 12/12/14	DwN:	ChkD:	DWG UNIT: MM
	MATERIAL: PA 66 (UL) 94 V-2		Modelled in RHINO 4.0	FILE: 12/12/14	DwN:	ChkD:	DWG UNIT: MM
	COLOUR: GREY		TOLLERANCES UNLESS NOTED	SHEET: 1 OF 1	DT: 14.12.12.10650.E.0	Part Number: 10650AA11	
			.XX= +/-010	SCALE:			
			.XXX= +/-005	NTS			
			FRAC.= +/- 1/64				
			ANG.= +/-1°				

