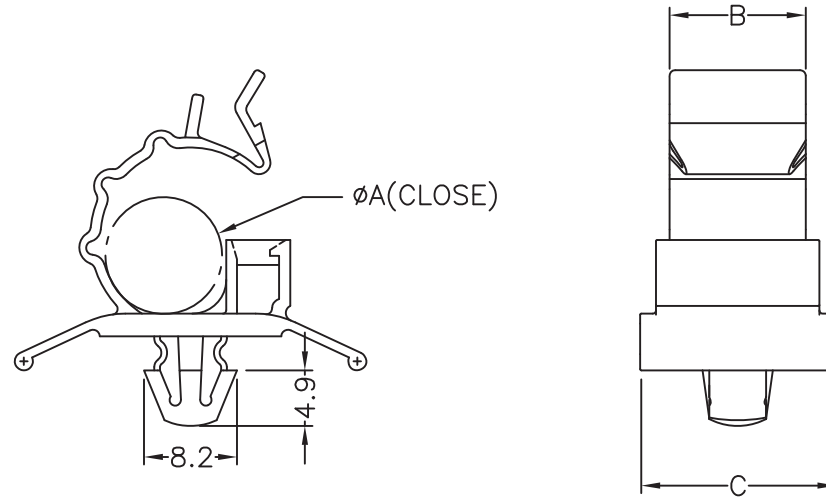


Dimensions	Tolerance
5mm DOWN	±0.2
5~20mm	±0.3
20~40mm	±0.4
40~60mm	±0.5
60~100mm	±0.8
100mm UP	±1.0



HOLE IN CHASSIS :ø6.4
CHASSIS THICKNESS:0.8~2.3mm

PART NO.	A	B	C
10646 AA11	7.0	9.8	15.0
10647 AA11	10.3	12.0	17.2
10649 AA11	14.8	14.0	19.3

REV.	DESCRIPTION	DATE	TITLE: Cable holder	DTW UNIT: MM
	MATERIAL: PA 66 (UL) 94 V-2		Modelled in RHINO 4.0	FILE: 12/12/14
	COLOUR: GREY		TOLLERANCES UNLESS NOTED	DwN:
			.XX= +/-010	ChkD:
			.XXX= +/-005	DT: 14.12.12.1064X.E.0
			FRAC.= +/- 1/64	Part Number: See table
			ANG.= +/-1°	
			SHEET: 1 OF 1	
			SCALE: NTS	
				fastpoint