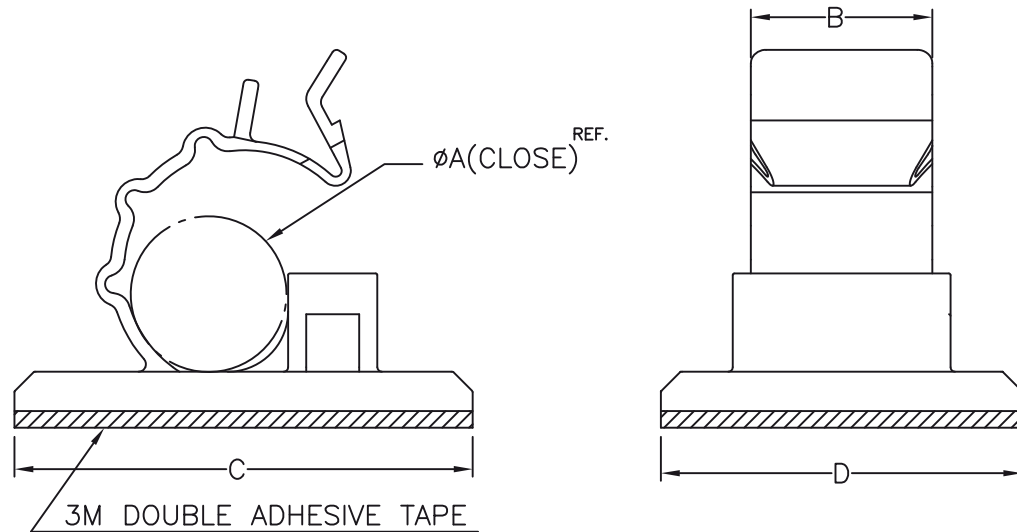


Dimensions	Tolerance
5mm DOWN	±0.2
5~20mm	±0.3
20~40mm	±0.4
40~60mm	±0.5
60~100mm	±0.8
100mm UP	±1.0



PART NO.	A	B	C	D	3MDOUBLE ADHESIVE TAPE
10641AA11 AS	6.2	8.6	17.5	20.5	THICKNESS 0.9mm
10642AA11 AS	7.0	9.8	25.5	17.5	THICKNESS 0.9mm
10643AA11 AS	10.3	12.0	30.3	23.9	THICKNESS 0.9mm
10644AA11 AS	14.5	14.0	29.9	23.9	THICKNESS 0.9mm
10645AA11 AS	18.5	15.9	35.7	25.2	THICKNESS 0.9mm

NOTE:

1. The adhesive tape is cut by hand, it is normal if there is a not unified egde.

REV.	DESCRIPTION	DATE	TITLE: Cable holder self adhesive	DWG UNIT: MM
	MATERIAL: PA 66 (UL) 94 V-2		Modelled in RHINO 4.0	FILE: 12/12/14
	COLOUR: GREY		TOLLERANCES UNLESS NOTED	DwN:
			.XX= +/-010	ChkD:
			.XXX= +/-005	DT: 14.12.12.1064X.E.0
			FRAC.=+/- 1/64	Part Number: See table
			ANG.=+/-1°	
			SHEET: 1 OF 1	
			SCALE: NTS	