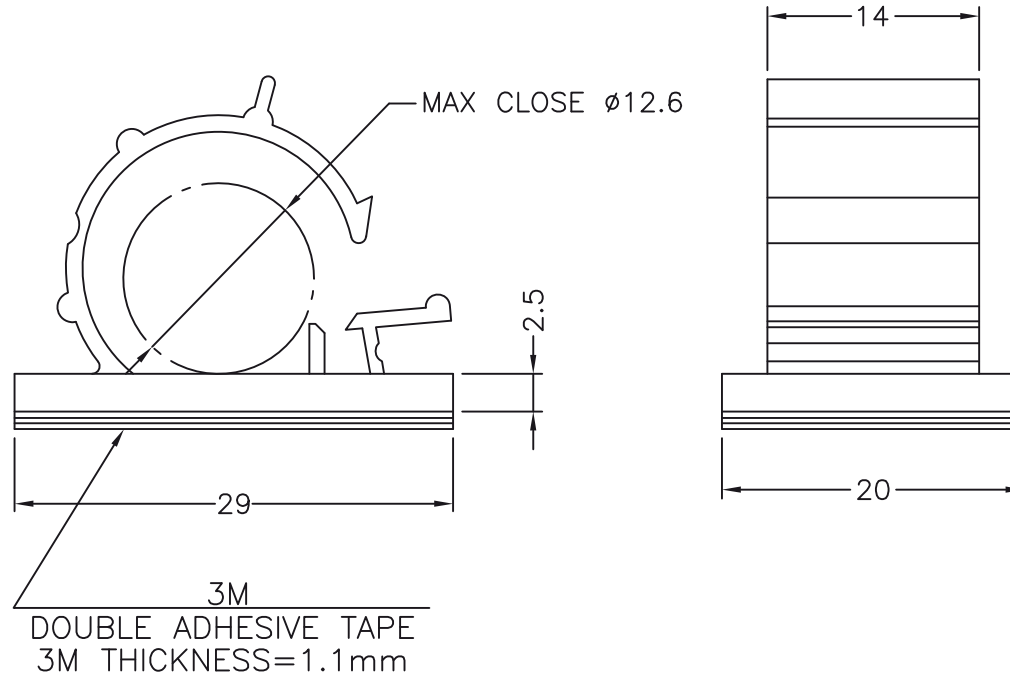


| Dimensions | Tolerance |
|------------|-----------|
| 5mm DOWN | ±0.2 |
| 5~20mm | ±0.3 |
| 20~40mm | ±0.4 |
| 40~60mm | ±0.5 |
| 60~100mm | ±0.8 |
| 100mm UP | ±1.0 |



NOTE:

1. Measurement does not include gate which raises under 0.3 mm

| REV. | DESCRIPTION | DATE | TITLE: Cable holder self adhesive | DWG UNIT: MM |
|------|-----------------------------|------|-----------------------------------|--------------------------|
| | MATERIAL: PA 66 (UL) 94 V-2 | | Modelled in RHINO 4.0 | FILE: 11/12/14 |
| | COLOUR: NATURAL | | TOLLERANCES UNLESS NOTED | DwN: |
| | | | .XX= +/-010 | ChkD: |
| | | | .XXX= +/-005 | DT: 14.11.12.10639.E.0 |
| | | | FRAC.= +/- 1/64 | Part Number: 10639AA00AS |
| | | | ANG.= +/-1° | |
| | | | SHEET: 1 OF 1 | |
| | | | SCALE: | |
| | | | NTS | |

