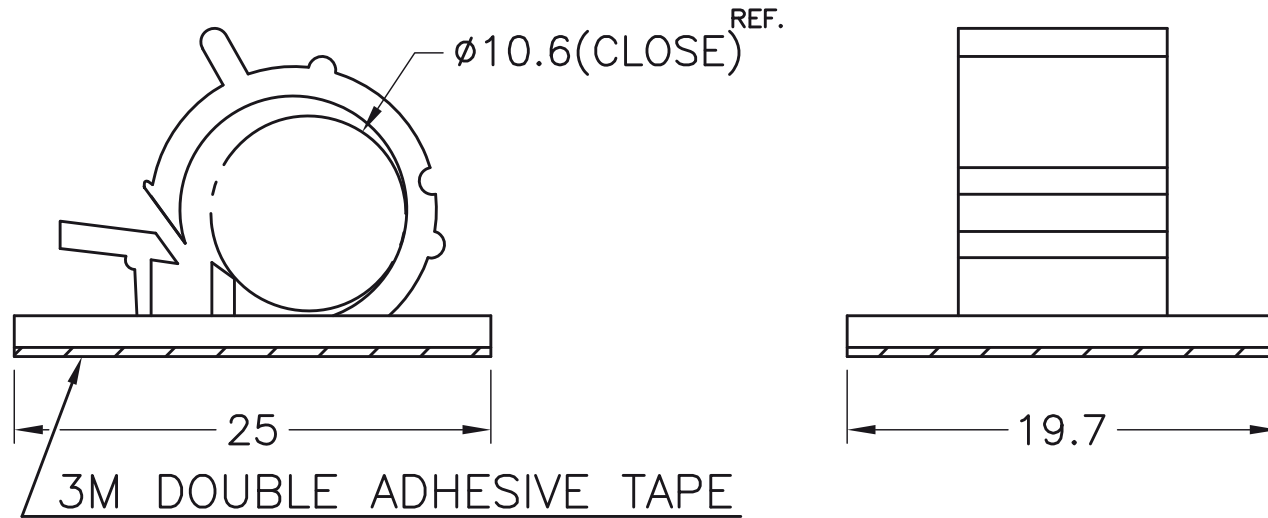


Dimensions	Tolerance
5mm DOWN	±0.2
5~20mm	±0.3
20~40mm	±0.4
40~60mm	±0.5
60~100mm	±0.8
100mm UP	±1.0



NOTE:

1. Measurement does not include gate which raises under 0.3 mm

REV.	DESCRIPTION	DATE	TITLE: Cable holder self adhesive	DWG UNIT: MM
	MATERIAL: PA 66 (UL) 94 V-2		Modelled in RHINO 4.0	FILE: 11/12/14
	COLOUR: NATURAL		TOLLERANCES UNLESS NOTED	Dwn: SHEET: 1 OF 1
			.XX= +/-010	DT: 14.11.12.10638.E.0
			.XXX= +/-005	ChkD: Part Number: 10638AA00AS
			FRAC.= +/- 1/64	
			ANG.= +/-1°	
			SCALE: NTS	
			