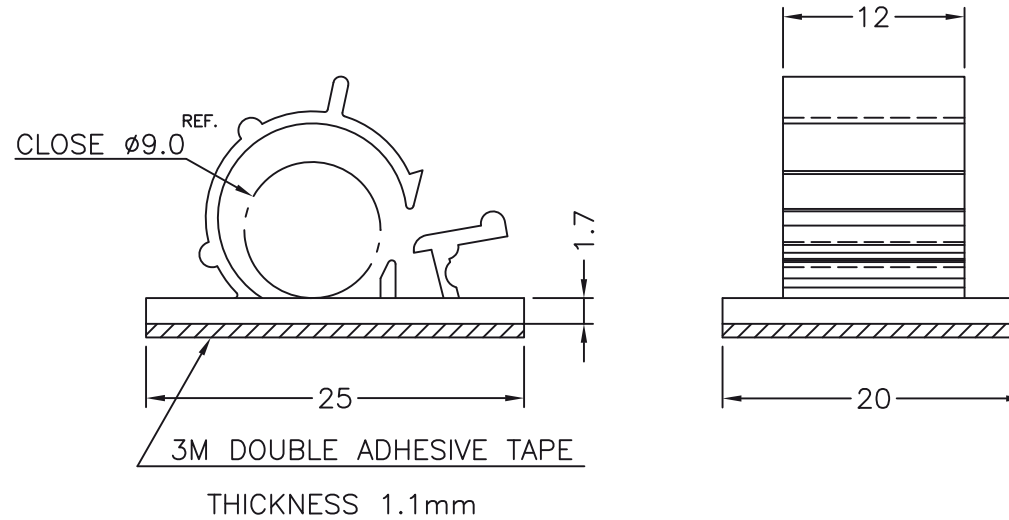


Dimensions	Tolerance
5mm DOWN	±0.2
5~20mm	±0.3
20~40mm	±0.4
40~60mm	±0.5
60~100mm	±0.8
100mm UP	±1.0



NOTE:  
 1. The adhesive tape is cut by hand, it is normal if there is a not unified edge

REV.	DESCRIPTION	DATE	TITLE: Cable holder self adhesive	FILE: 11/12/14	DwN:	ChkD:	DWG UNIT: MM
	MATERIAL: PA 66 (UL) 94 V-2		Modelled in RHINO 4.0	DT: 14.11.12.10637.E.0			
	COLOUR: NATURAL		TOLLERANCES UNLESS NOTED	SHEET: 1 OF 1		Part Number: 10637AA00AS	
			.XX= +/-010	SCALE:			
			.XXX= +/-005	NTS			
			FRAC.= +/- 1/64				
			ANG.= +/-1°				

