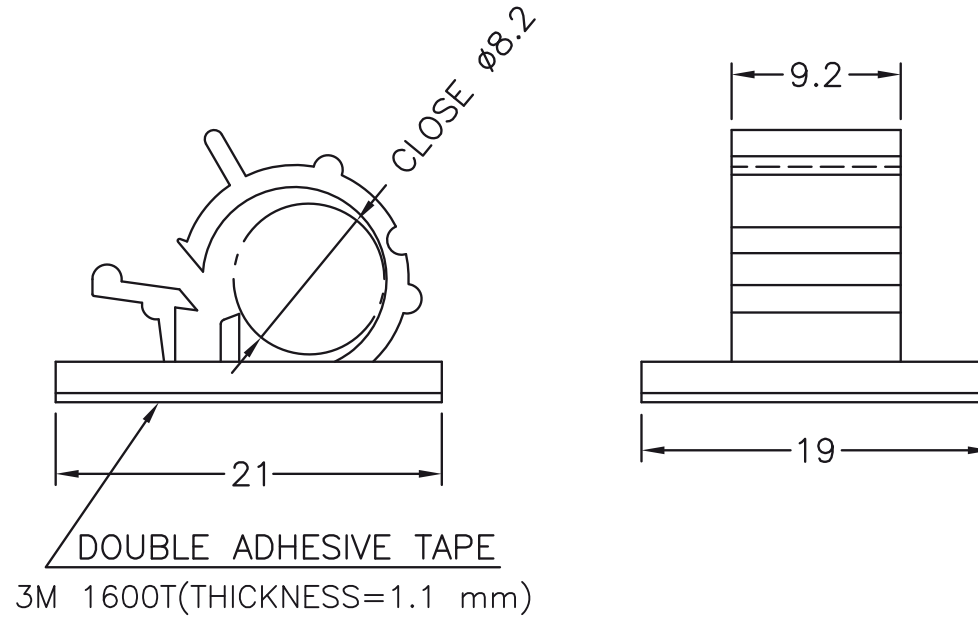


Dimensions	Tolerance
5mm DOWN	±0.2
5~20mm	±0.3
20~40mm	±0.4
40~60mm	±0.5
60~100mm	±0.8
100mm UP	±1.0



NOTE:

1. The adhesive tape is cut by hand, it is normal if there is a not unified edge

REV.	DESCRIPTION	DATE	TITLE: Cable holder self adhesive	DWG UNIT: MM
	MATERIAL: PA 66 (UL) 94 V-2		Modelled in RHINO 4.0	FILE: 11/12/14
	COLOUR: NATURAL		TOLLERANCES UNLESS NOTED	DwN:
			.XX= +/-010	ChkD:
			.XXX= +/-005	DT: 14.11.12.10636.E.0
			FRAC.= +/- 1/64	Part Number: 10636AA00AS
			ANG.= +/-1°	
			SHEET: 1 OF 1	
			SCALE:	
			NTS	

