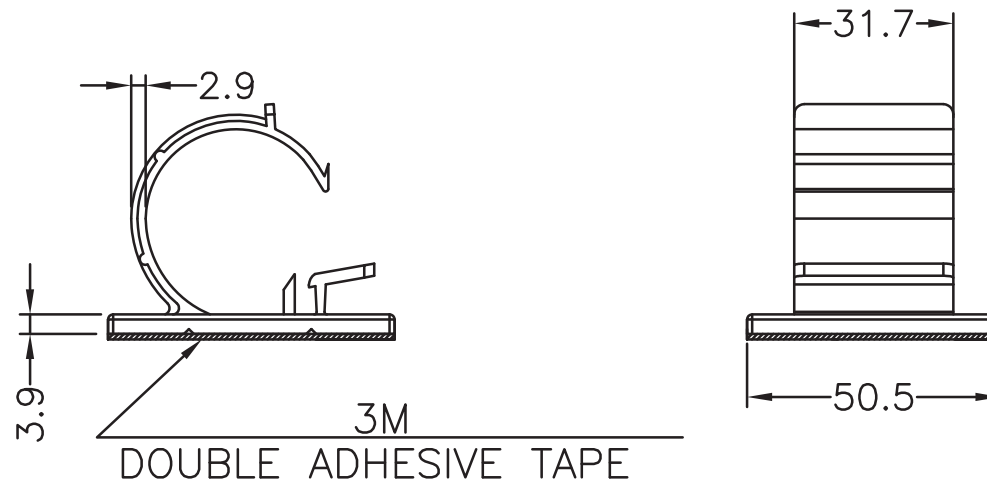
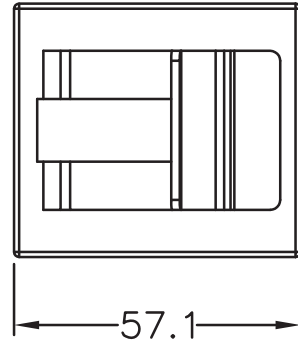


| Dimensions | Tolerance |
|------------|-----------|
| L≤10 | ±0.2 |
| 10<L≤30 | ±0.3 |
| 30<L≤50 | ±0.5 |
| 50<L≤100 | ±0.7 |
| 100<L≤250 | ±1.2 |
| ABOVE 250 | ±1.5 |



NOTE:
1. The height is not including the thickness of release paper

| REV. | DESCRIPTION | DATE | TITLE: Cable holder self adhesive | FILE: 11/12/14 | DwN: | ChkD: | DWG UNIT: MM |
|------|-----------------------------|------|-----------------------------------|----------------|------------------------|--------------------------|--------------|
| | MATERIAL: PA 66 (UL) 94 V-2 | | Modelled in RHINO 4.0 | FILE: 11/12/14 | DwN: | ChkD: | DWG UNIT: MM |
| | COLOUR: GREY | | TOLLERANCES UNLESS NOTED | SHEET: 1 OF 1 | DT: 14.11.12.10635.E.0 | Part Number: 10635AA11AS | |
| | | | .XX= +/-010 | SCALE: | | | |
| | | | .XXX= +/-005 | NTS | | | |
| | | | FRAC.=+/- 1/64 | | | | |
| | | | ANG.=+/-1° | | | | |

