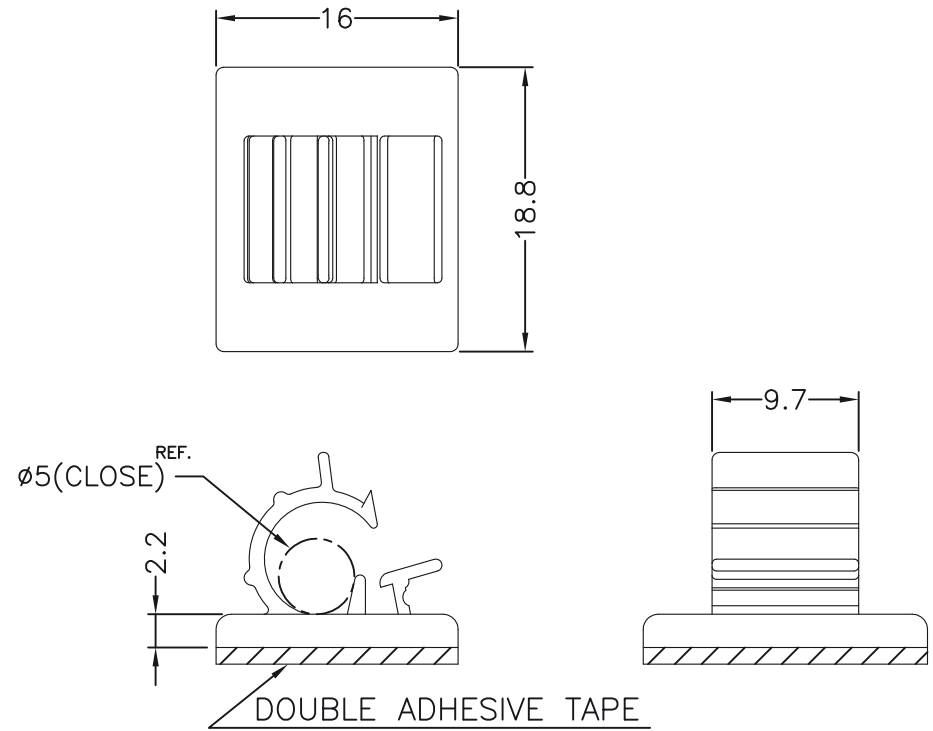


Dimensions	Tolerance
L≤10	±0.2
10<L≤30	±0.3
30<L≤50	±0.5
50<L≤100	±0.7
100<L≤250	±1.2
ABOVE 250	±1.5



REV.	DESCRIPTION	DATE	TITLE: Cable holder self adhesive	FILE: 11/12/14	DwN:	ChkD:	DWG UNIT: MM
	MATERIAL: PA 66 (UL) 94 V-2		Modelled in RHINO 4.0	SHEET: 1 OF 1	DT: 14.11.12.10630.E.0	Part Number: 10630AA11AS	
	COLOUR: GREY		TOLLERANCES UNLESS NOTED	SCALE: NTS			
			.XX= +/-010				
			.XXX= +/-005				
			FRAC.= +/- 1/64				
			ANG.= +/-1°				

