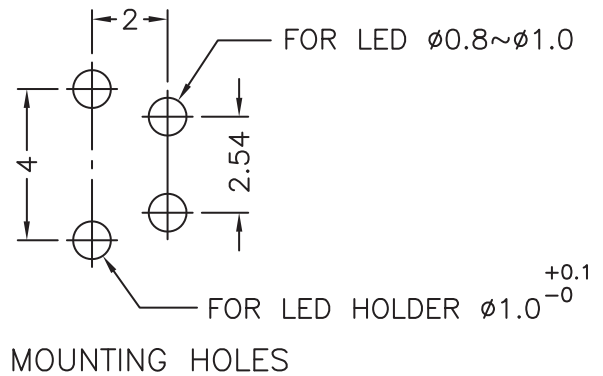
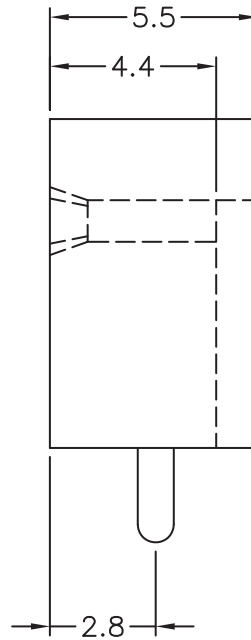
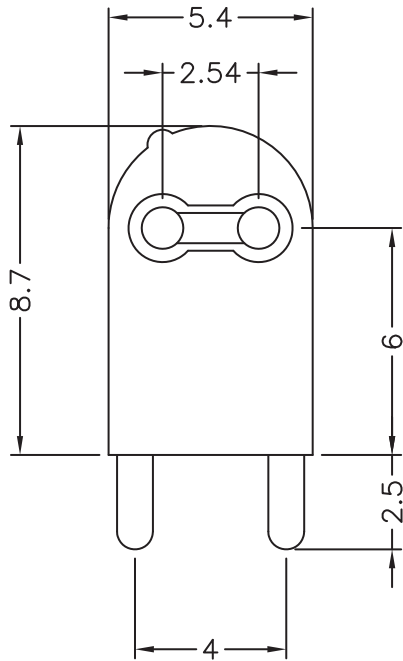



DIM.	TOL
5mm DOWN	±0.2
5~20mm	±0.3
20~40mm	±0.4
40~60mm	±0.5
60~100mm	±0.8
100mm UP	±1.0

REVISIONS			
REV	DESCRIPTION	DATE	BY



NOTE: All measurement does not include gate which raises under 0.3mm.

		TITLE LED HOLDER	
		MATERIAL PA66 V2 UL94	DATE 17/05/2011
PART NUMBER 10621AA01		DRAWN J.D.	
DRAWING NUMBER 11.05.17.10621.0.E		CHECK	
SIZE A4	SCALE 5:1	COLOR BLACK	APPROVED
UNIT mm.	REV A	UNLESS OTHERWISE SPECIFIED TOLERANCE SEE ABOVE	