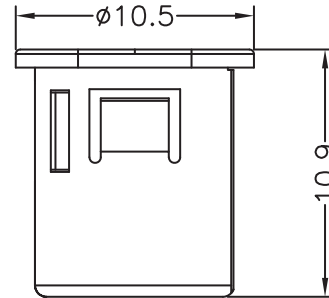
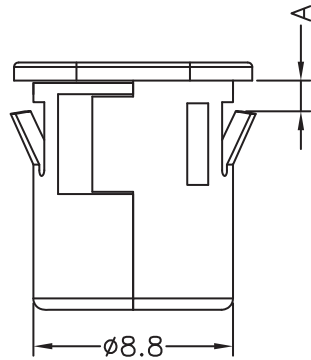
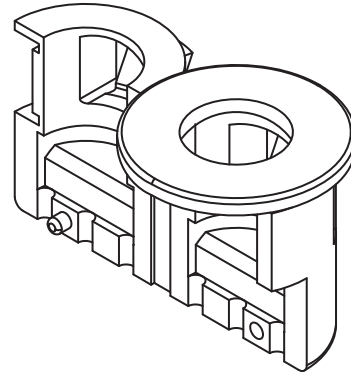
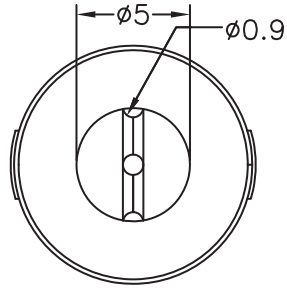



DIM.	TOL
5mm DOWN	±0.2
5~20mm	±0.3
20~40mm	±0.4
40~60mm	±0.5
60~100mm	±0.8
100mm UP	±1.0

REVISIONS			
REV	DESCRIPTION	DATE	BY



A: HOLE IN CHASSIS:  $\overset{+0.05}{-0}$ Ø9.0  
 CHASSIS THICKNESS: 0.6~1.2

NOTE: 1. All measurement does not include gate which raises under 0.3mm.  
 2. Suitable for Ø5 LED with visor and 3PIN.

				TITLE LED HOLDER	
				MATERIAL PA66 V2 UL94	DATE 17/05/2011
PART NUMBER 10591AA01				DRAWN J.D.	
				DRAWING NUMBER 11.05.17.10591.0.E	
SIZE A4				COLOR BLACK	
				CHECK	
SCALE 3:1				UNLESS OTHERWISE SPECIFIED TOLERANCE SEE ABOVE	
				APPROVED	
UNIT mm.				REV A	