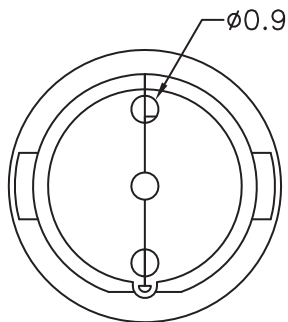
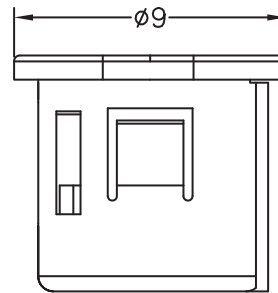
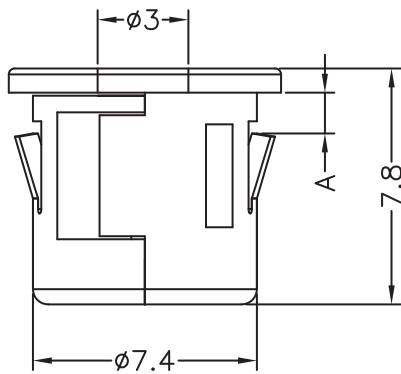


DIM.	TOL
5mm DOWN	±0.2
5~20mm	±0.3
20~40mm	±0.4
40~60mm	±0.5
60~100mm	±0.8
100mm UP	±1.0

REVISIONS			
REV	DESCRIPTION	DATE	BY

A: HOLE IN CHASSIS:  $\phi 7.5^{+0.05}_{-0}$   
 CHASSIS THICKNESS: 1.0~1.2



NOTE: 1. All measurement does not include gate which raises under 0.3mm.  
 2. Suitable for  $\phi 3$  LED with visor and 3PIN.



<b>TITLE</b> LED HOLDER		<b>MATERIAL</b> PA66 V2 UL94		<b>DATE</b> 17/05/2011	
		<b>COLOR</b> BLACK		<b>DRAWN</b> J.D.	
<b>PART NUMBER</b> 10587AA01		<b>DRAWING NUMBER</b> 11.05.17.10587.0.E		<b>CHECK</b> 	
<b>SIZE</b> A4	<b>SCALE</b> 4:1	<b>UNIT</b> mm.	<b>REV</b> A	<b>UNLESS OTHERWISE SPECIFIED TOLERANCE</b> SEE ABOVE	
				<b>APPROVED</b>	