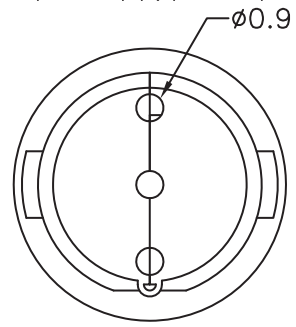
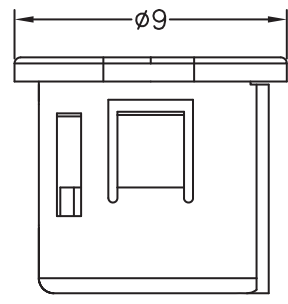
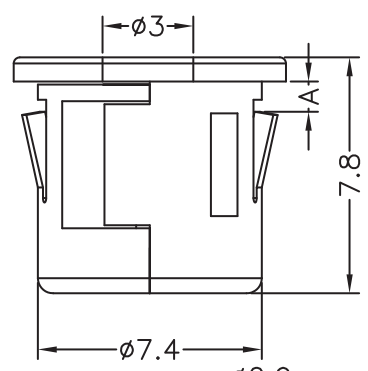
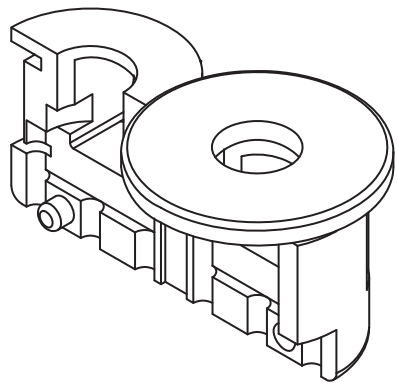



DIM.	TOL
5mm DOWN	±0.2
5~20mm	±0.3
20~40mm	±0.4
40~60mm	±0.5
60~100mm	±0.8
100mm UP	±1.0

REVISIONS			
REV	DESCRIPTION	DATE	BY



A: HOLE IN CHASSIS: $\phi 7.5^{+0.05}_{-0}$
 CHASSIS THICKNESS: 0.6~1.0

NOTE: 1. All measurement does not include gate which raises under 0.3mm.
 2. Suitable for $\phi 3$ LED with visor and 3PIN.

		TITLE LED HOLDER	
		MATERIAL PA66 V2 UL94	DATE 17/05/2011
PART NUMBER 10586AA01		DRAWING NUMBER 11.05.17.10586.0.E	
DRAWN J.D.		COLOR BLACK	CHECK
SIZE A4	SCALE 4:1	UNIT mm.	REV A
UNLESS OTHERWISE SPECIFIED TOLERANCE SEE ABOVE		APPROVED	