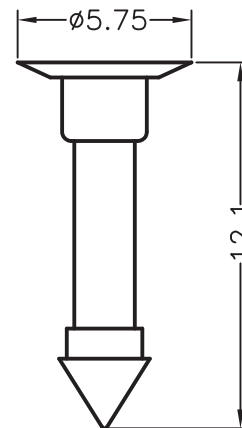
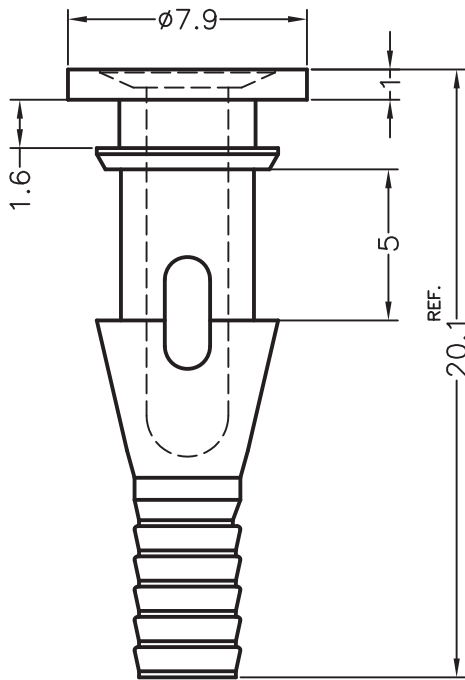
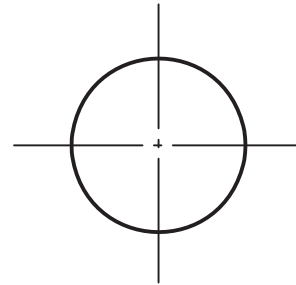
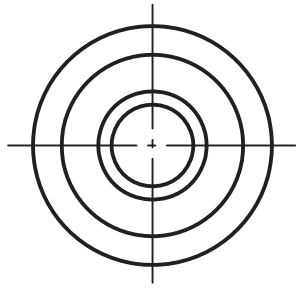


REVISIONS			
REV	DESCRIPTION	DATE	BY



BODY

PIN



MOUNTING HOLE

NOTE: All measurement does not include gate which raises under 1.2mm.



TITLE		FAN SNAP RIVET	
PIN MATERIAL		PA66 V2 UL94	DATE 17/05/2011
BODY MATERIAL		TPE	DRAWN J.D.
COLOR		BLACK	CHECK
UNLESS OTHERWISE SPECIFIED TOLERANCE		±0.2	APPROVED

PART NUMBER		DRAWING NUMBER	
10576PF01		11.05.17.10576.0.E	
SIZE	SCALE	UNIT	REV
A4	4:1	mm.	C