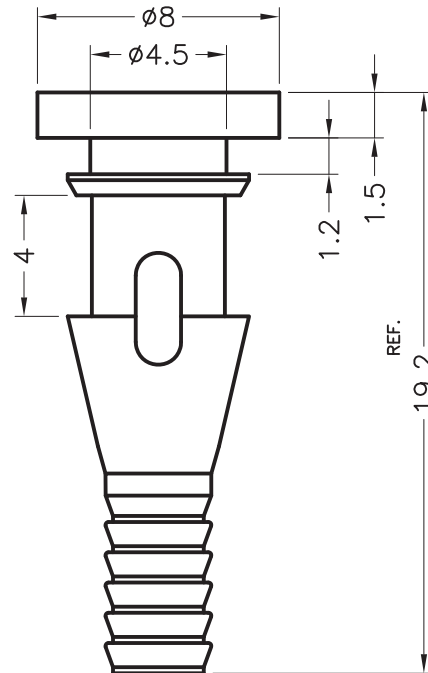
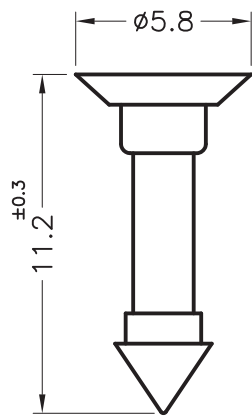
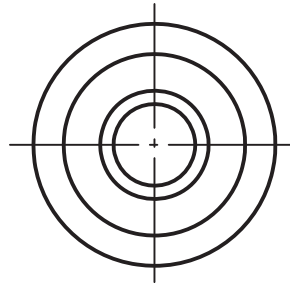



DIM.	TOL
5mm DOWN	±0.2
5~20mm	±0.3
20~40mm	±0.4
40~60mm	±0.5
60~100mm	±0.8
100mm UP	±1.0

REVISIONS			
REV	DESCRIPTION	DATE	BY



MOUNTING HOLE  $\phi 4.5$

NOTE: All measurement does not include gate which raises under 1.2mm.

		TITLE	FAN SNAP RIVET
		PIN MATERIAL	PA66 V2 UL94
PART NUMBER 10575PF01		DRAWING NUMBER	
		11.05.17.10575.0.E	
SIZE	SCALE	UNIT	REV
A4	4:1	mm.	C
UNLESS OTHERWISE SPECIFIED TOLERANCE		SEE ABOVE	
APPROVED		DATE	
		17/05/2011	
		DRAWN	
		J.D.	
		CHECK	